

PHOTOGRAPHIC TUBE ADAPTER

MODEL NUMBER 638

REFERENCE MANUAL



AMERICAN OPTICAL COMPANY
INSTRUMENT DIVISION • BUFFALO, N. Y. 14215

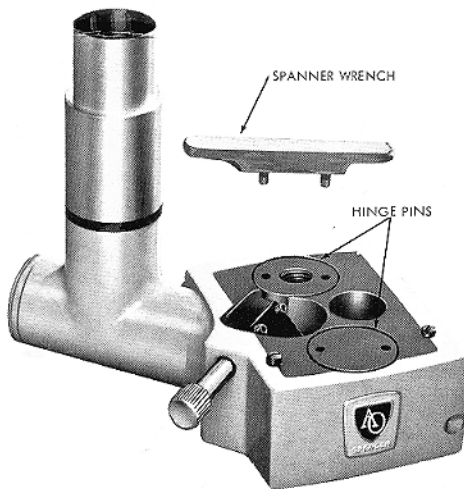


FIG. 1. Model 638 Photographic Tube
Adapter

INTRODUCTION

The American Optical Photographic Adapter (figure 1) is designed specifically for use with AO Spencer Cycloptic Series Microscopes. It may be used in conjunction with a Series 682 Photomicrographic Camera or other similar general purpose photomicrographic cameras. The spanner wrench is supplied to facilitate assembly of the Single Tube Photographic Adapter to the Cycloptic Microscope. An AO No. 146 10X Wide Field or No. 147 15X Wide Field Eyepiece should be available for insertion into the Photo Tube Adapter.

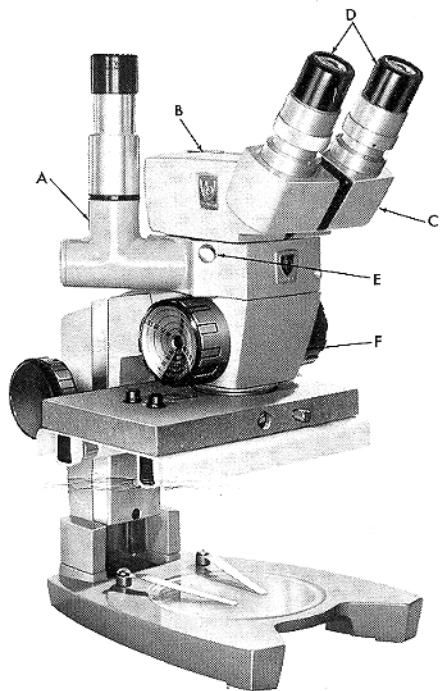
USE (See figure 2)

1. Loosen hinge pin (B) on top of prism body (C) with spanner wrench.
2. Carefully remove entire binocular body assembly.
3. Place adapter (A) in position on microscope body (F) as shown.
4. Engage the two hinge pins (figure 1) in the proper openings and tighten with spanner wrench.
5. Install Binocular body (C) on top of the adapter.
6. Focus conventionally on some suitable specimen at a power of 10X or 15X.

Note

When the mirror lever E is turned counter-clockwise, the light is directed through the adapter tube. When lever is turned clockwise, the light is directed clockwise and the light follows its normal path through the left eyepiece of the microscope.

7. The adapter is now ready for use in conjunction with a Photomicrographic Camera at any of the resultant magnifications offered by your CYCLOPTIC MICROSCOPE.



- A. Photo Tube Adapter
- B. Hinge Pin
- C. Prism Body Assembly
- D. Eyepieces
- E. Mirror Lever
- F. Microscope Body

FIG. 2. No. 638 Illustrated With AO CYCLOPTIC Model 56M-1 Microscope, No. 640 Fluorescent Illuminator, and No. 146 10X W. F. Eyepiece

ADJUSTMENTS

The setscrew on the underside of the adapter body controls the tension on the mirror lever.

This should be firm but not tight enough to cause binding. Adjust as needed.

CLEANING

The only cleaning required is an occasional dusting of the exposed lens surfaces with a soft camel's hair brush, or cleaning with a small Q tip. To accomplish the latter, moisten the cotton with xylene or alcohol, and squeeze almost dry.

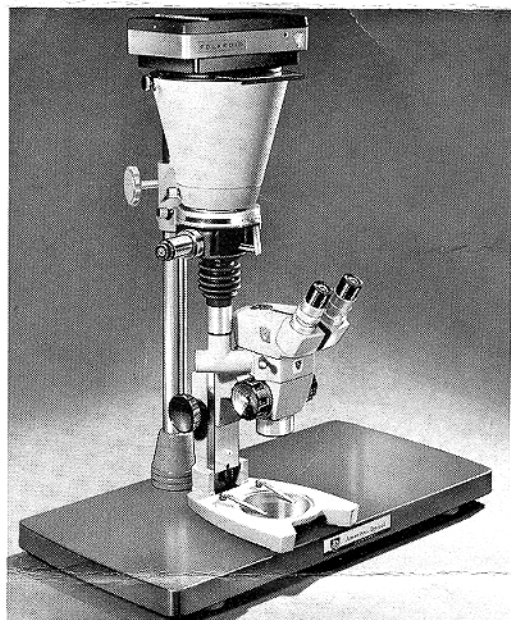


FIG. 3. No. 638 Illustrated With AO CYCLOPTIC Model 56M-1 and 682G Photomicrographic Camera