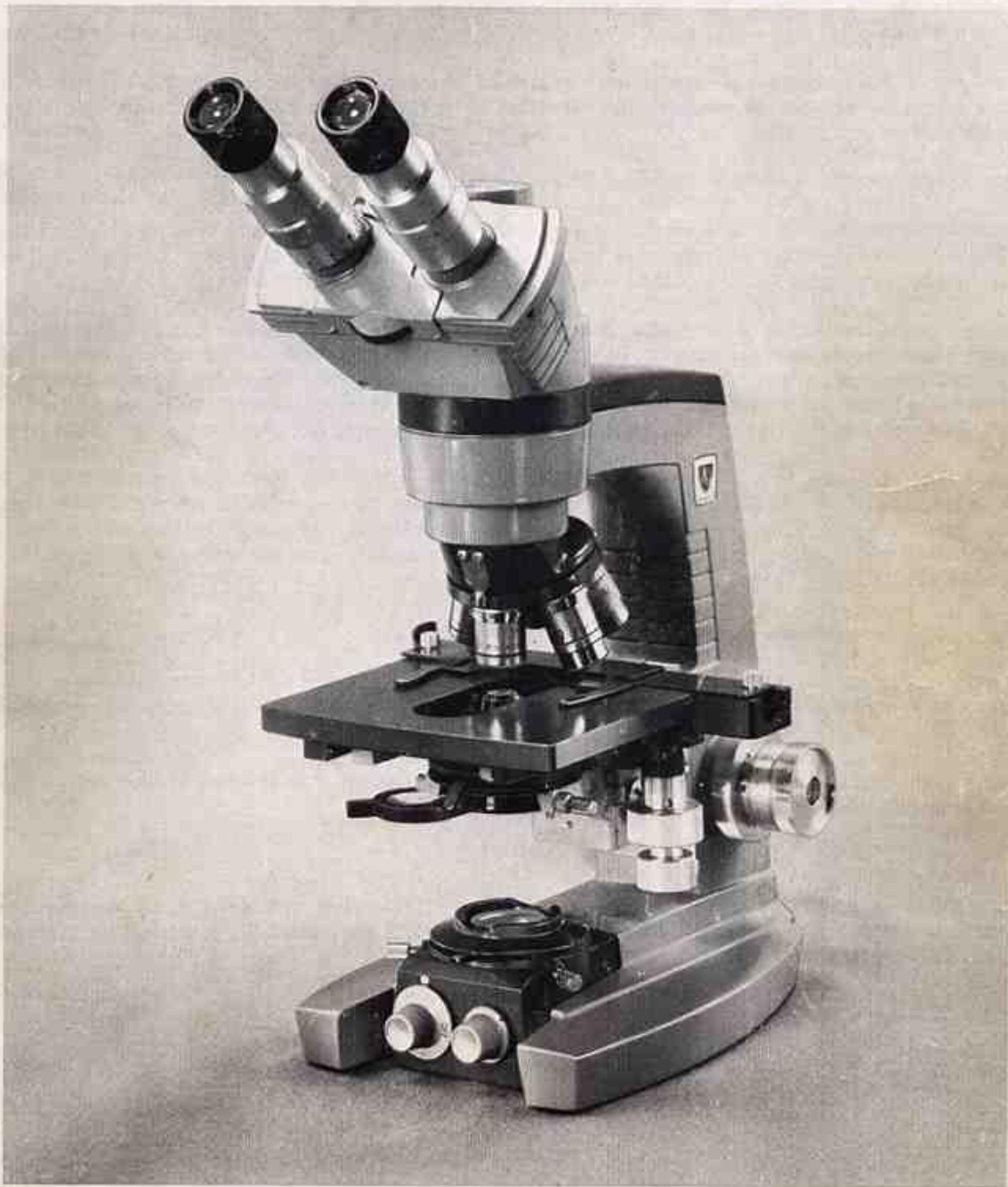


REFERENCE MANUAL

Series 10 MICROSTAR®
Advanced Laboratory Microscopes



**AMERICAN OPTICAL
CORPORATION**

SCIENTIFIC INSTRUMENT DIVISION • BUFFALO, N. Y. 14215

Price \$1.00

INSTRUMENT WARRANTY

This American Optical Corporation, Scientific Instrument Division, product is warranted against defective material and workmanship for one year. This warranty applies only to new products that have not been tampered with or misused in any way.

AO will not be liable to anyone for special or consequential damages of any kind. Nor does AO warrant consumables or accessories not manufactured by AO. AO makes no implied warranties of merchantability or fitness for a particular purpose.

CLAIMS AND RETURNS

If discrepancies are discovered, an immediate report should be made to the customer's ordering point referring to the packing list number. All packing should be carefully examined to insure that no small items are overlooked. Claims for loss or damage in transit should be made directly to the transportation company.

If, upon delivery, the outside of the packing case shows evidence of rough handling or damage the transportation company's agent should be requested to make a "Received in Bad Order" notation on the delivery receipt. If there is no exterior evidence of rough handling upon delivery but concealed damage is evident upon unpacking the shipment within 48 hours of delivery the transportation company should be requested to make out a "Bad Order" report. This procedure is necessary in order to maintain the right of recovery from the carrier.

Customers are requested to write to American Optical Corporation, Scientific Instrument Division, Buffalo, New York 14215, or their ordering dealer for permission to return any goods to the factory for any reason. The letter of request should indicate the date and number of the invoice, or packing list. If arrangements are made for a return, the material should be plainly tagged with the customer's and/or dealer's name and address, carefully packed and shipped PREPAID.

PRODUCT CHANGES

The American Optical Corporation, Scientific Instrument Division, reserves the right to change designs or to make additions to or improvements in its products without imposing any obligations on itself to add such to products previously manufactured.

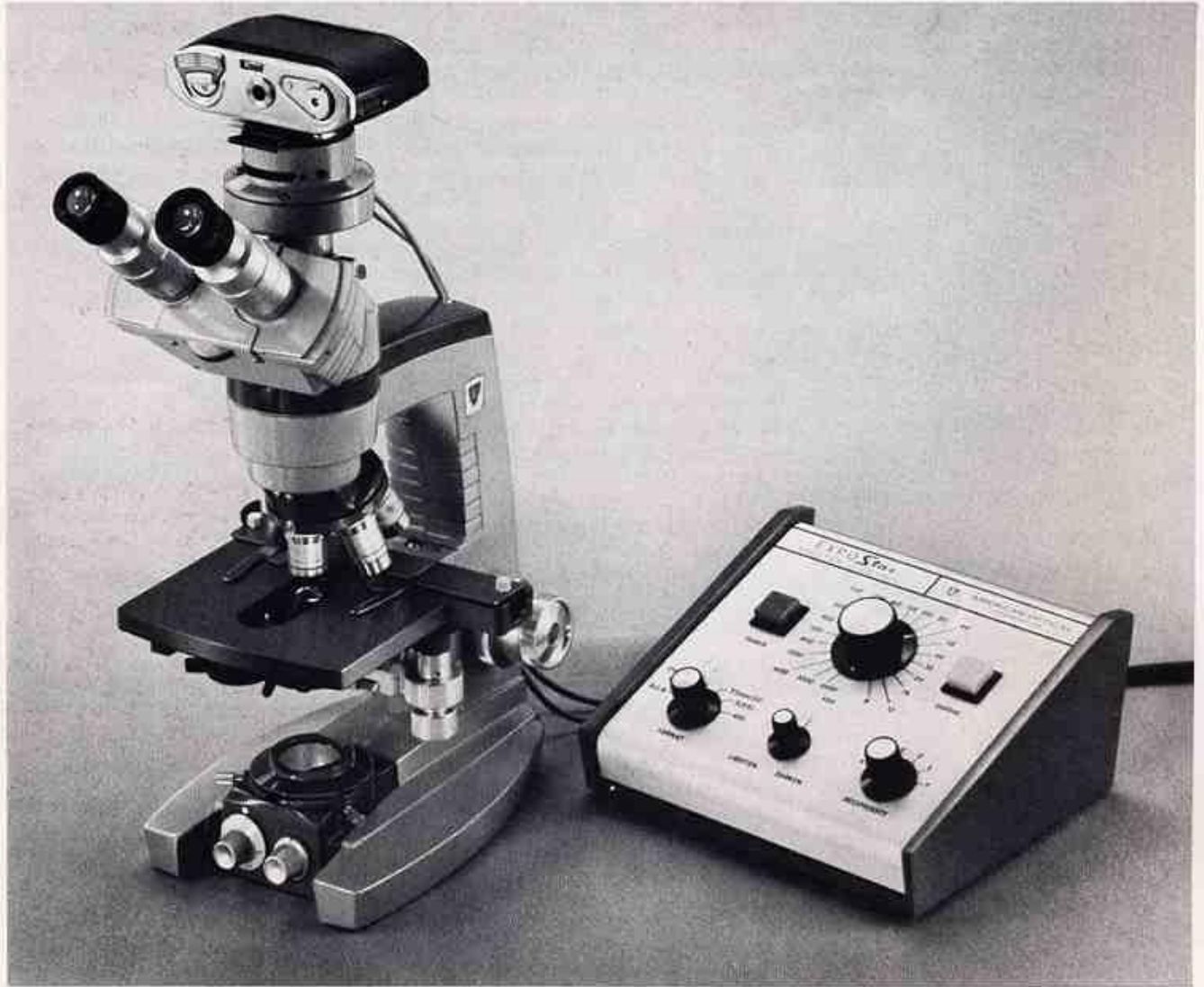
The equipment supplied may not agree in all details with our descriptions or illustrations because instruments are subject to modification and improvement.

SERVICE

Repairs should be performed only by qualified service personnel. Complete repair facilities are available at many AO authorized dealers, and AO Technical Service Centers in Buffalo, N.Y., Chicago, Ill., Glendale, Calif., Springfield, N.J., and Dallas, Texas.

TABLE OF CONTENTS

Section	Page	Section	Page
I INTRODUCTION	1	IX SUBSTAGE EQUIPMENT	10
II REFERENCE MANUAL	1	1. Rack and Pinion Focus	10
III UNPACKING	1	2. Fork Mount	10
IV ASSEMBLY	1	3. Adjustment of Focusing Tension	10
1. Attaching Body to Stand	2	4. Condenser Mount	10
2. Objectives Assembled to Nosepiece	2	5. Condensers	10
3. Connection of Illuminator	2	X BODIES	12
V FOCUSING	2	1. Attaching and Removing Body	12
1. AO New Focusing Concept	2	2. Monocular Bodies	12
2. Coarse Adjustment	2	3. Binocular Body, Catalog No. 1042	12
3. Fine Adjustment	2	4. Trinocular Body, Catalog No. 1043	12
4. Autofocus Stop	2	XI ILLUMINATION	13
VI INFINITY CORRECTED OBJECTIVES	4	1. "On-Base" Type Illuminator	13
1. Description	4	2. "In-Base" Type Illuminator	14
2. Table of Objective Characteristics	4	3. Mirror	16
3. Parfocality and Parcentration	4	XII OPERATING PROCEDURE	16
4. Immersion Oil	5	XIII CARE OF THE MICROSCOPE	17
VII EYEPIECES	5	1. General	17
1. Huygenian Eyepieces	5	2. Cleaning Objectives	17
2. Wide Field Eyepieces	6	3. Cleaning Monocular Bodies	18
3. Calibration of Micrometer Discs	6	4. Cleaning Binocular Body	18
VIII STAGES	6	5. Cleaning Trinocular Body	19
1. Types and Construction	6	6. Mechanical Maintenance	19
2. Changing Stages	7	7. Removing Nosepiece	19
3. Mechanical Stage	8	XIV PARTS LIST	19
4. Simple Stage	9	1. General	19
5. Micro-Glide Stage	9	2. Contents	19



MICROSTAR Series 10 Microscope
with 1053C

AO MICROSTAR® SERIES 10 MICROSCOPE

I INTRODUCTION

The AO MICROSTAR® Microscope represents the finest and most advanced laboratory microscope ever produced; the latest in a long series of fine microscopes produced over a span of 130 years. With proper care, it will give a lifetime of satisfactory, dependable use.

II REFERENCE MANUAL

This Reference Manual is written on the assumption that it is to be used by advanced students and experienced microscopists. No attempt has been made to include fundamentals and basic principles of microscopy. It is condensed to cover the essential functional adjustments and controls specific to the AO MICROSTAR Microscope Series 10, together with a complete listing of parts with exploded drawings. It also covers routine maintenance requirements. If the reader is interested in a more complete treatise on fundamentals and principles of the microscope, AO will be pleased to forward, at no charge, our booklet entitled "Effective Use and Proper Care of the Microscope".

III UNPACKING

The method of packaging the new MICROSTAR Microscope takes advantage of modern packaging materials and techniques plus the quick and easy interchange of component assemblies which has been engineered into the design of this modern microscope. Each microscope is fully assembled and thoroughly inspected at the factory. The subsequent removal of component assemblies for convenience and safety in transit in no way impairs the ultimate performance of the microscope. Precise functional alignment is assured by manufacturing techniques and design. Simply follow these instructions for quick assembly of the instrument. If it is desired, the AO dealer or AO representative will be pleased to assist with the assembly of the microscope.

Note

Contents of inner carton are clearly marked including accessories such as body, objectives, eyepieces, mirror and fork assembly (if ordered without illuminator), transformer for "In-Base" illuminator (if so ordered), blue glass filter (where supplied), immersion oil, plastic cover, reference manual, and two Allen wrenches, 1/16" and 3/32".

Unpack the microscope as follows:

- a. Stand carton upright and open from top.
- b. Lift out the inner carton.
- c. Remove separators in the inner carton, and lift stand from lower carton.
- d. Remove material used to restrain movement of the mechanical stage, and remove the foam pads from under the stage support, and under the nosepiece assembly.
- e. Make sure the stage assembly is in firm contact with the Autofocus Stop "S" in figure 4, page 4. While supporting the stage in one hand, unlock the locking lever "L" in figure 4, and lift the entire stage assembly to assure firm contact with the Autofocus Stop. Then lock the locking lever.

Note

The plastic bag used for protection in handling and shipping can be discarded since a permanent, heavy duty plastic cover is included with the microscope.

IV ASSEMBLY

1. Attaching Body to Stand

Attach body to stand by backing off knurled screw, inserting dovetail in body support and tightening the knurled screw firmly without forcing. See figure 1. The body is thus precisely located on the optical axis of the microscope, regardless of the orientation selected. The AO MICROSTAR Microscope may be used in either of two positions; arm toward the observer, or arm away from the observer. It is assumed that microscopes with attached or built-in illuminators will be used with the arm away from observer.

2. Objectives Factory Assembled to Nosepiece

All objectives have been factory fitted to the nosepiece. Check to see that each is secured firmly. Magnifications are arranged in sequence from lowest to highest. Objectives may be removed for cleaning by manually unscrewing them from the nosepiece.

3. Connection of Illuminator

The illuminator may now be connected to its power supply. Illuminators, Cat. No. 1031, 1034 and No. 1037, plug directly into 115 volt AC outlet.

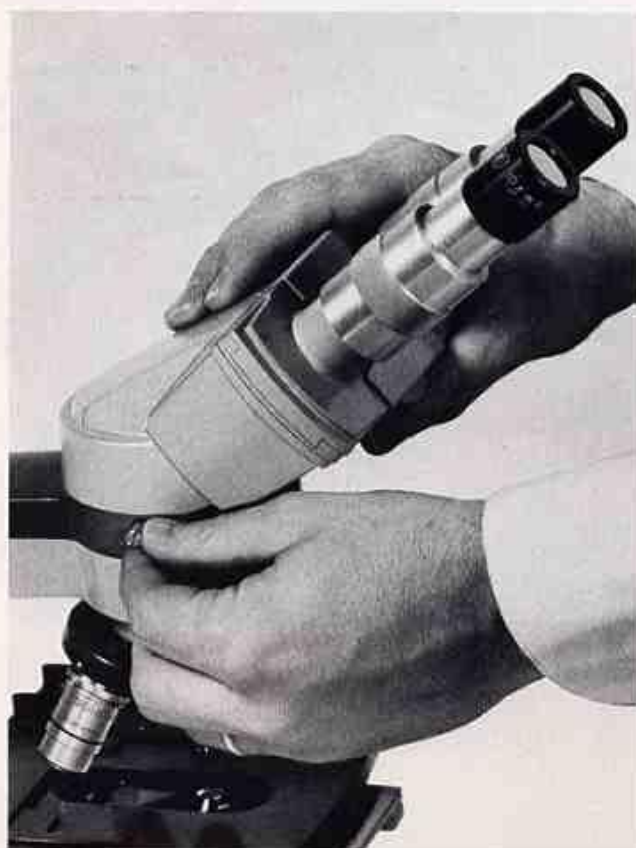


Figure 1. Attaching Binocular Body to Stand

Cat. No. 1036A Illuminator connects through a variable transformer to the 115 volt AC outlet.

If the microscope is ordered with a mirror for use with an external light source, the mirror fork assembly, packed in the accessory box, should be inserted firmly into the hole provided in the base.

V FOCUSING

1. AO New Focusing Concept

The AO MICROSTAR Microscope incorporates a new focusing concept of unprecedented convenience and effectiveness in which only the nosepiece moves in focusing. The basic construction is shown in figure 2. The nosepiece is raised and lowered by the concentric coarse and fine adjustment knobs. The entire internal focusing mechanism is totally enclosed and sealed against entry of dirt. Movement of the nosepiece on a ball bearing slideway ensures smooth, positive action, free of backlash.

2. Coarse Adjustment

Positive stops are provided for both the upper and lower position of the coarse adjustment control knob. Excursion provided is ample for slides or chambers. For use with tissue culture bottles, etc., where greater clearance is required, the stage can be immediately lowered and locked to the desired position. Maximum clearance thus provided is 1-5/8". Relubrication and tension readjustment of coarse adjustment are rarely required.

3. Fine Adjustment

A micrometer screw, graduated in microns for fine adjustment, has a total excursion of 2 mm. or 10 complete revolutions. Each revolution represents a movement of 200 microns. It will be extremely helpful to learn to recognize when the fine adjustment is midway in its operating range. See figure 3. This midway position is the correct setting to provide the necessary operating range to effectively use the AO unique autofocus stop.

The fine adjustment mechanism moves on the same ball bearing slideway as the coarse adjustment. Relubrication and tension readjustment are rarely required.

4. Autofocus Stop

Autofocus is an indispensable aid to microscopy. This concept, pioneered by AO 20 years ago, is a tremendous time saver in using the coarse adjustment, particularly with the oil immersion objective.

The autofocus stop is pre-set at the factory. It is the stop which limits the height of the stage (see figure 4). This setting is valid for slides anywhere from 0.50 to 2.5 mm. in thickness. Because of the highly precise tolerances held in the manufacture of the objectives (affecting both parcentration and parfocality), it is possible to search the slide with 10X or 45X objectives, find the field required for study under oil

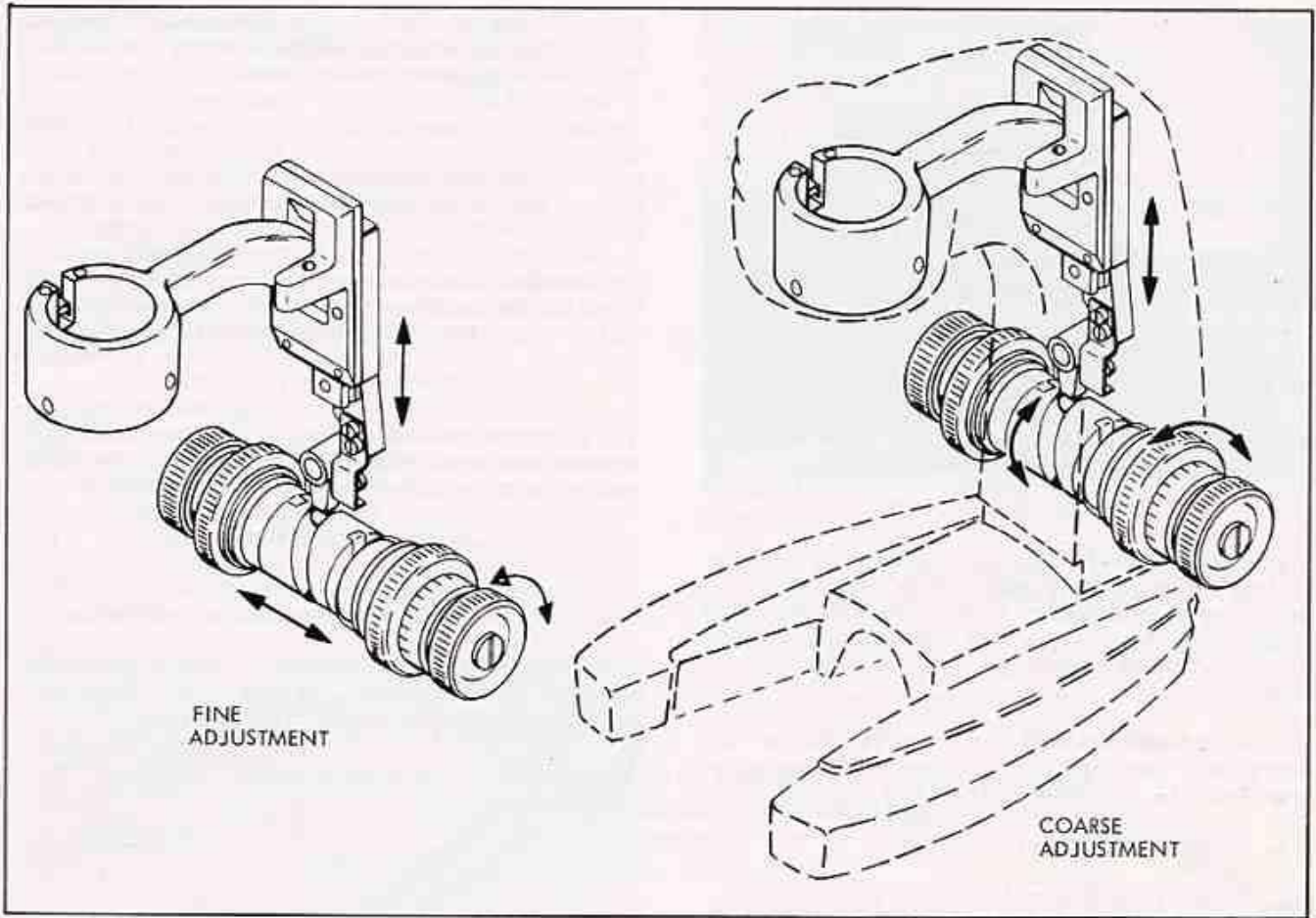


Figure 2. Focusing System

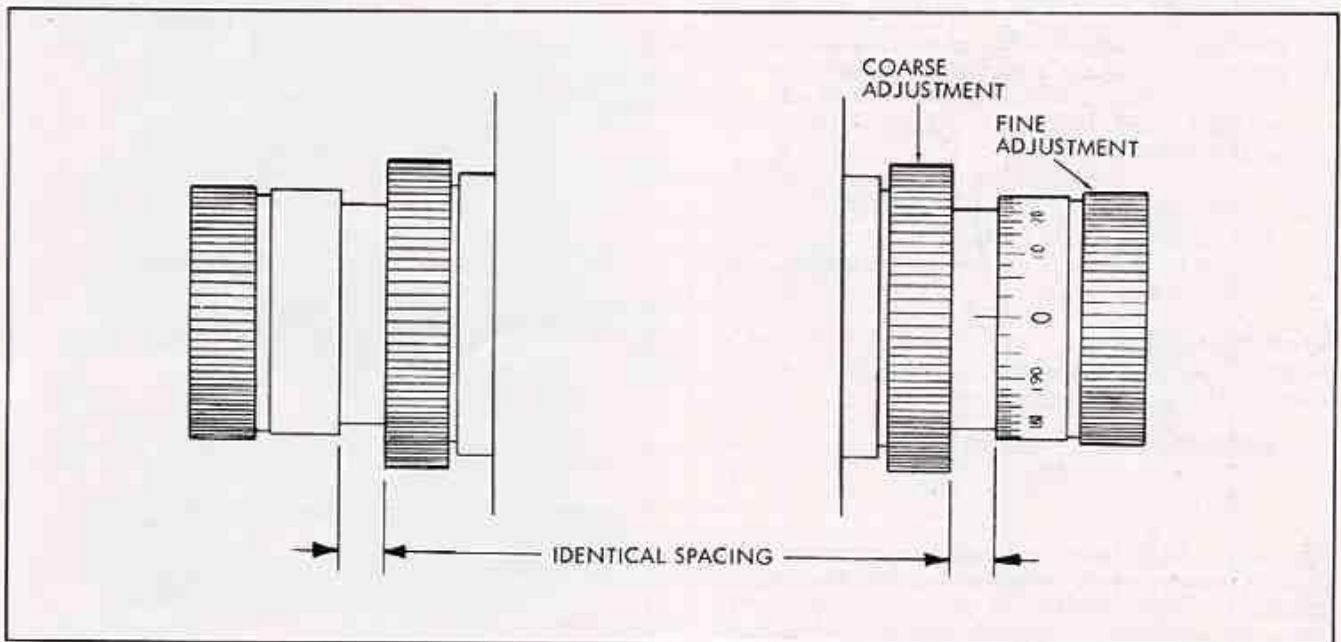


Figure 3. Fine Adjustment

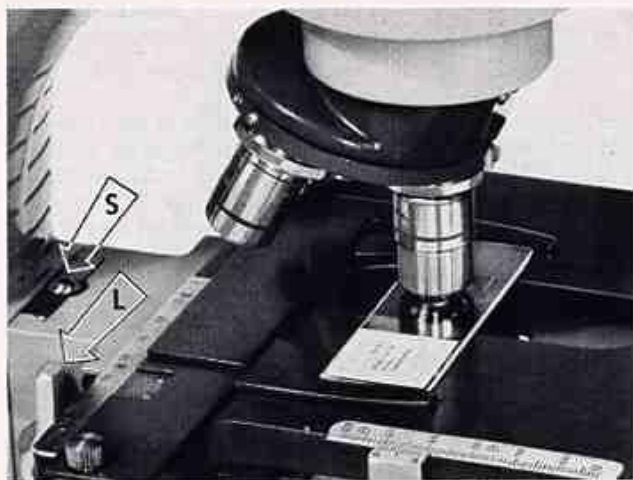


Figure 4. Autofocus Stop

immersion, raise the coarse adjustment, swing to the oil immersion objective, apply oil to slide, and lower the coarse adjustment rapidly to its positive stop. The subject will be in focus within a touch of the fine adjustment with absolutely no danger of touching the slide.

To use the autofocus stop, always start with the fine adjustment approximately in center of its excursion (see figure 3), and proceed as follows:

- a. Place slide on stage.
- b. Rotate nosepiece to 10X objective.
- c. Lower the nosepiece with coarse adjustment to its lowest limit.

Note

Whether the objective is actually lowered through the position of focus, or the position of focus is never reached, the coarse adjustment should be lowered all the way down against the stop.

- d. Bring the image of the slide into focus with the fine adjustment control knob. If a sharp image cannot be obtained, review part III, paragraph e, on page 1.

Repeat this simple procedure each time the slide is changed. This method of focusing will quickly become an automatic procedure.

VI INFINITY CORRECTED OBJECTIVES

1. Description

Most microscopes have been constructed with a fixed distance between eyepiece and objective. The infinity corrected system (figure 5) makes it possible to change the objective to eyepiece distance without affecting optical performance. The new AO concept in infinity corrected objectives makes possible a new breakthrough in optical performance and, at the same

time, simplifies the focusing mechanism. This is achieved by focusing the nosepiece only, and not the heavy stage assembly or body tube.

Parallel light emerging from the objective is picked up by a telescope lens in the microscope body tube which brings the parallel rays thus intercepted to focus at the correct position in the eyepiece. Optical performance is in no way impaired by varying the distance from objective to the telescope lens assembly since this merely extends the length of the parallel beam but the addition of the telescope lens system makes it possible to improve optical performance.

2. Table of Objective Characteristics

The pertinent characteristics of this new series of infinity corrected objectives, in combination with recommended eyepieces, are given in Table I.

3. Parfocality and Parcentration

All AO objectives in this series are parfocal. This means that the subject is essentially in focus when the

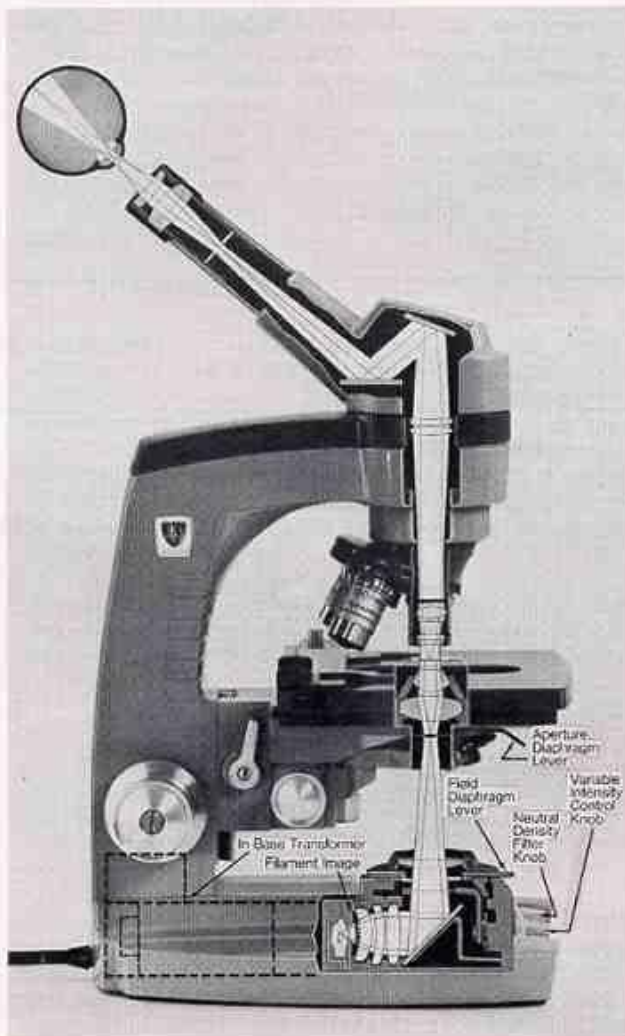


Figure 5. Infinity Corrected System and Koehler Type Illumination

nosepiece is rotated to change from one magnification to another. With stained slides of normal density, it should always be possible to see an image when going to the next highest power and it is normal to expect a slight touch-up with the fine adjustment.

Parfocality will not be adversely affected by any random selection or arrangement of objectives on the nosepiece.

This new series of objectives is also parcentered. When an area is selected in the center of the field for a given magnification, it will remain well within the field of view for the next highest magnification.

4. Immersion Oil

In addition to a suitable refractive index and dispersion, a satisfactory immersion oil must possess the following physical properties: It should be chemically inert; it should be free from a tendency to spread or creep; it should remain fluid and not harden rapidly when exposed to air; and its optical properties should be stable and not change with age.

Immersion fluids recommended for use with AO objectives are: Cedarwood Oil, Crown Oil or Shillaber's Oil available from AO and most scientific supply

houses. Oils of low viscosity, such as mineral oil, will cause damage by seeping up around the mount and into the lens.

VII EYEPIECES

AO MICROSTAR Microscopes furnished with achromatic objectives are supplied with either Huygenian or Wide Field eyepieces.

1. Huygenian Eyepieces

The Huygenian eyepiece is the simplest in construction. As shown in Table below, it has smaller field size and less eye relief than the wide field type. For this reason, it is not recommended for use by observers wearing eyeglasses.

A cross section of the 10X Huygenian eyepiece is shown in figure 6.

Both the 5X eyepiece Cat. No. 133 and the 10X Cat. No. 177 accept reticles of AO 400 series; 21 mm. in diameter. To install a reticle in the Huygenian eyepiece, the reticle must be inserted in the eyepiece from the top with the etched side of the reticle facing down, and secured with a circular spring retainer.

CHARACTERISTICS OF AO INFINITY CORRECTED OBJECTIVES AND EYEPIECES

OBJECTIVES					EYEPIECES					
Catalog Number	Initial Magnification	Type	Numerical Aperture N.A.	Working Distance in MM	1. FIELD OF VIEW and 2. EYE RELIEF IN MM					
					5X Huygenian Cat. 133	10X Huygenian Cat. 177	10X Wide Field Cat. 176	15X Wide Field Cat. 184	20X Wide Field Cat. 157	
1028	2.5X	plan-achromat	0.07	9.2	1. 7.5 2. 9.6	5.9 8.2	7.4 21.0	6.7 14.0	4.9 10.0	
1017	4X	plan-achromat	0.12	7.2	1. 4.7 2. 9.5	3.7 8.1	4.6 21.0	4.2 14.0	3.1 10.0	
1019	10X	plan-achromat	0.25	9.1	1. 1.9 2. 8.6	1.5 7.9	1.9 21.0	1.7 14.0	1.2 10.0	
1022	20X	plan-achromat	0.50	1.4	1. 0.95 2. 7.9	0.74 7.7	0.92 21.0	0.84 14.0	0.61 10.0	
1023	40X	plan-achromat	0.66	0.5	1. 0.48 2. 7.86	0.36 7.7	0.46 21.0	0.42 14.3	0.31 10.3	
1116	45X	achromat	0.66	0.7	1. 0.42 2. 7.7	0.33 7.6	0.41 21.0	0.37 14.0	0.27 10.0	
1016	50X	plan-achromat	0.85	0.3	1. 0.38 2. 7.7	0.29 7.6	0.37 21.0	0.33 14.0	0.24 10.0	
1014*	100X	plan-achromat	1.25	0.1	1. 0.19 2. 7.0	0.15 7.5	0.18 21.0	0.17 14.0	0.12 10.0	
1024	100X	plan-achromat	1.25	0.1	1. 0.19 2. 7.0	0.15 7.5	0.18 21.0	0.17 14.0	0.12 10.0	
1079	100X	achromat	1.25	0.1	1. 0.19 2. 7.0	0.15 7.5	0.18 21.0	0.17 14.0	0.12 10.0	

NOTES: All working distances in air above a 0.18MM coverglass - from coverglass to mount.
Eye relief is distance from exit pupil (ideal position of eye) to top of eyepiece lens.
*With built-in iris diaphragm for darkfield and Fluorescence antibody techniques.

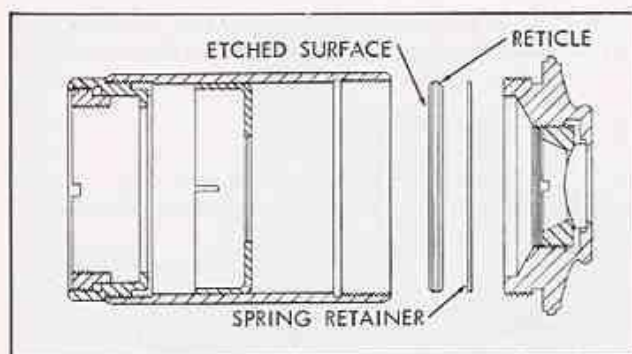


Figure 6. 10X Huygenian Eyepiece

2. Wide Field Eyepieces

This eyepiece is of greater complexity and provides an increased field of view. It will be noted from Table I that the 10X wide field has essentially the same field of view as the 5X Huygenian eyepiece. It also provides a higher eyepoint, that is, for this reason, definitely recommended for observers wearing eyeglasses.

The series is available in three different magnifications:

- 10X wide field - Cat. No. 176
- 15X wide field - Cat. No. 184
- 20X wide field - Cat. No. 157

Figure 7 shows a cross section of the wide field eyepiece. To insert a reticle into the eyepiece, place the reticle into the reticle mount with the etched side facing outward, and slide the mounted reticle into the eyepiece tube with the etched side of the reticle upwards until the reticle seats against the field diaphragm.

3. Calibration of Micrometer Disc

The projected values of reticle graduations vary with the optical combination used, and consequently, should be pre-calibrated before accurate measurements can be made. To calibrate, focus on a stage micrometer and move it until one of the graduations corresponds

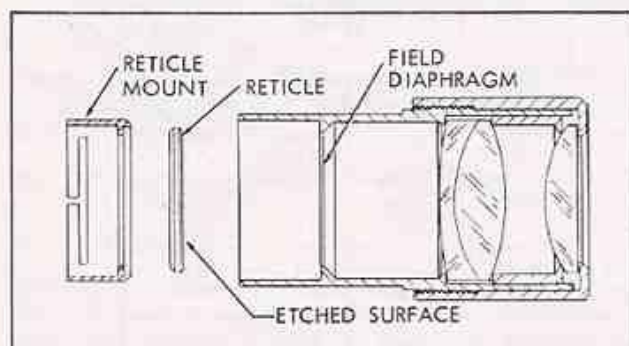


Figure 7. Wide Field Eyepiece

exactly with one of the divisions of the eyepiece micrometer. (See figure 8.) The true distance (X) seen on the stage micrometer, which corresponds to the number of divisions (Y) of the eyepiece micrometer disc, is then read and dividing this true distance by the number of divisions of the eyepiece micrometer, it is possible to find the distance each division subtends ($C = X/Y$). The number of divisions covered by the specimen multiplied by the calibration constant (C) gives the length of the specimen.

VIII STAGES

1. Types and Construction

There are two basic groups of stages furnished for use with the Series 10 MICROSTAR Microscope. One group incorporates the simple bakelite stage and Micro-Glide, or rotating stage. See figures 9 and 10. This two-piece constructed stage, illustrated in figure 10, consists of the top portion (simple or glide) which is supported in a ring mount and bracket. The top portion is identical to and interchangeable with stages furnished on previous Series 2 and Series 4 MICROSTAR Microscopes.

The stage is attached to the stand by means of a dovetail slide. In use, the stage assembly is locked at a fixed position on the slide, the height determined by position of the autofocus stop. Adjustment on the slide is made only when one wishes to accommodate unusually thick vessels such as tissue culture bottles or wet mounts.

The other group consists of the graduated or un-graduated mechanical stage. See figures 11 and 13. The mechanical stage is a one-piece construction and attaches to the stand in exactly the same manner as the two-piece constructed stage.

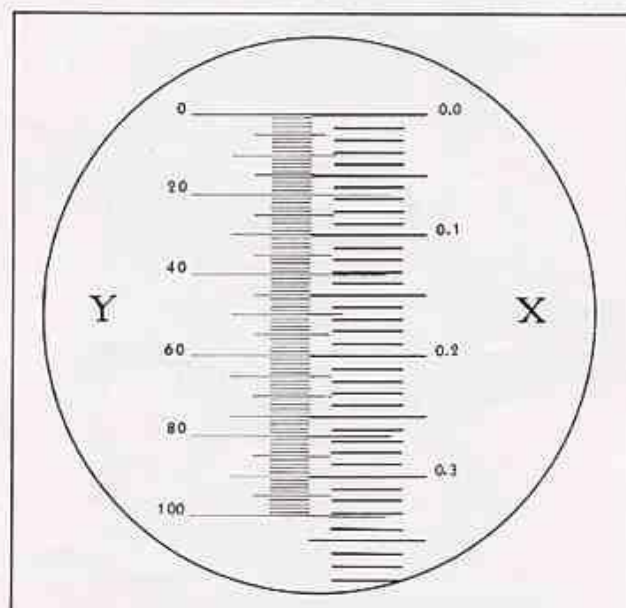


Figure 8. Calibration of Micrometer Discs

Both groups of stages are adjustable in height and locked at the desired position by means of the locking lever. With slides of normal thickness the stage is raised to its uppermost position, against the preset autofocus stop. This stop is set at the factory for a slide thickness of approximately 1.5 mm, and provides, with the 2 mm. excursion of the fine adjustment, satisfactory use of the autofocus stop with any slide of thickness from 0.5 mm. to 2.5 mm.

2. Changing Stages

Remove the stage assembly as follows (see figure 12):

- a. Remove autofocus stop screw (figure 4).
- b. Remove all objectives from nosepiece.
- c. Raise nosepiece to upper limit with coarse adjustment.

- d. With mechanical stages, center the elongated hole in the top stage plate to the hub of the nosepiece by moving the stage top in a north-south direction.
- e. While supporting the stage in one hand, unlock locking lever and raise the entire assembly from the dovetail slide, tilting it forward at the top of the slide to clear the nosepiece.

Replace the stage assembly as follows (see figure 13):

- a. Make sure the top stage plate is centered to the hub in a north-south direction so that the nosepiece hub will not interfere.
- b. Make sure the locking plate will not interfere.
- c. Tilt the stage assembly forward to carefully engage the slide, and lower to correct position.

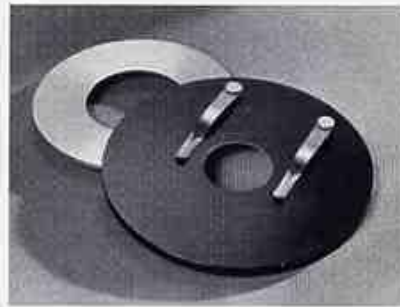


Figure 9. Micro-Glide Stage



Figure 10. Simple Stage

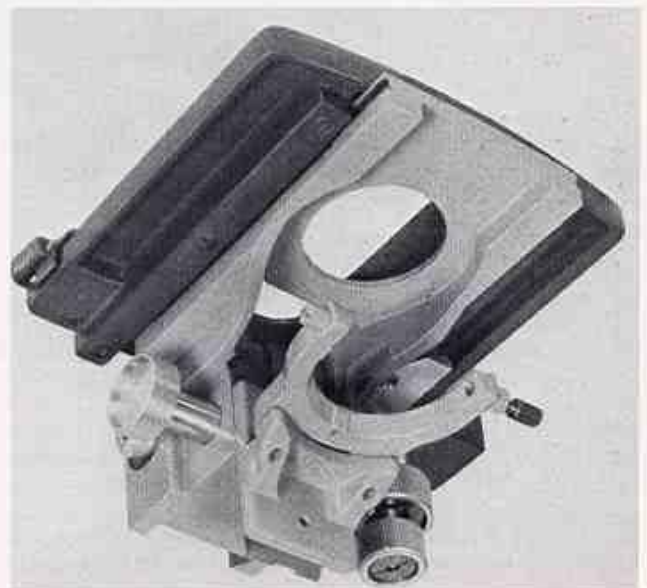


Figure 11. Mechanical Stages



Figure 12. Removal of Stage Assembly

- d. Replace objectives on nosepiece.
- e. Lock the locking lever.
- f. Insert autofocus screw with Allen wrench and adjust for correct autofocus stop setting as follows:
 - (1) Use slide of normal thickness (approximately 1.25 mm).
 - (2) With 10X objective, lower nosepiece all the way to its stop with the coarse adjustment.
 - (3) Set fine adjustment approximately in the center of its range.
 - (4) Raise stage until image is in focus. Lock with locking lever.
 - (5) Advance autofocus screw downward until it contacts the top of the dovetail slide and becomes a stop which limits further upward movement of the stage.

3. Mechanical Stage

The slide carrier assembly is easily removed by unscrewing the two knurled screws. See figure 13. The lateral movement of the finger, actuated by the pinch grip, should be free and respond instantly to the spring action which causes the finger to hold the slide firmly in place. If clean, it should require no lubrication.

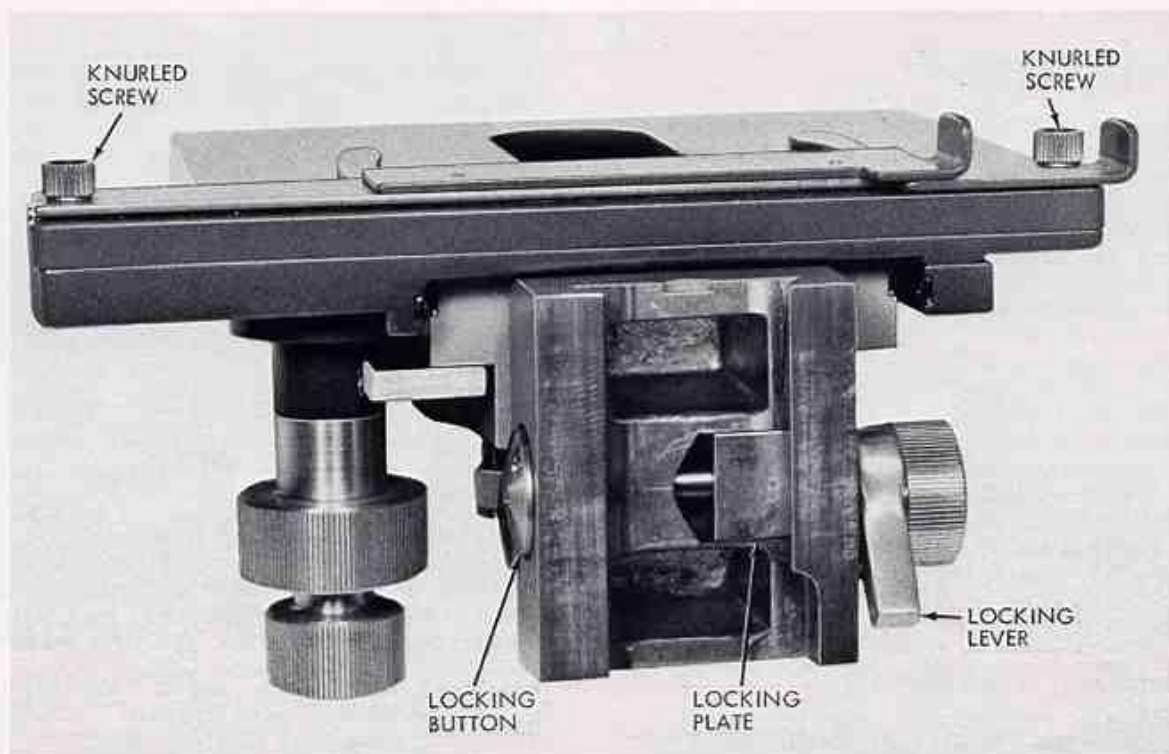


Figure 13. Rear View of Stage Assembly Slide

The forward and lateral motions of the stage are on prelubricated bearing ways.

4. Simple Stage

The simple bakelite stage is easily installed or removed from its support ring. See figure 14. When installing the simple stage, make sure the lock screw is backed off far enough for the stage to seat properly. Tighten the lock screw snugly but do not force.

5. Micro-Glide Stage

The Micro-Glide stage depends for successful operation on a film of lubricant of proper viscosity applied uniformly on the inner sliding surfaces. It requires periodic maintenance in relubricating these surfaces. Frequency of relubrication required depends on the environmental conditions and frequency of use. To relubricate, separate the upper plate from the lower plate by forcing apart. Completely remove all the old grease with a solvent such as xylene or alcohol, and relubricate using the lubricant supplied with the stage. Use sparingly and spread in a thin film over both plates with finger or a cloth. Reassemble and work in by moving the top plate around for a few seconds.

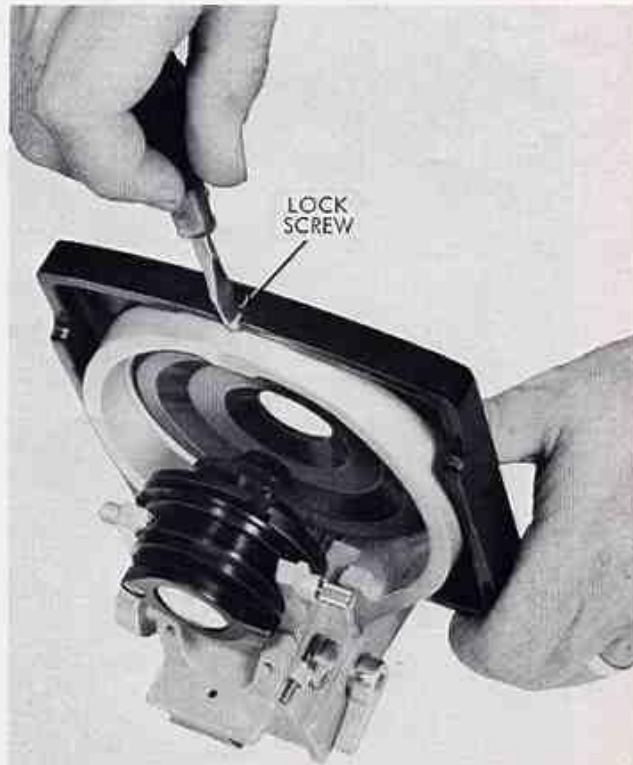


Figure 14. Removal of Simple Stage

IX SUBSTAGE EQUIPMENT

1. Rack and Pinion Focus

On the new MICROSTAR Microscope Series 10 models, the fork mount which supports the substage condenser is actuated by rack and pinion. The maximum height of the condenser has been properly adjusted at the factory to just below stage level. If it becomes necessary to readjust the height of the condenser, proceed as illustrated in figure 15, advancing or retracting the Allen head stop screw as necessary.

2. Fork Mount

The condenser assembly is easily removed from the fork mount by backing off the thumb screw and pulling the entire condenser assembly forward. See figure 16. To reassemble the condenser to the fork mount, be sure that the slot in the back of the condenser mount seats into the pin in the fork mount. See figure 17. Insert the condenser mount all the way into the fork and then rotate until the pin engages the slot.

3. Adjustment of Focusing Tension

Adjust the focusing tension by turning knob while holding slotted nut on the opposite side stationary with a screwdriver or coin. (See figure 18.)

4. Condenser Mount

Two types of condenser mounts are provided; (1) fixed mount, Cat. No. 1093A, and (2) centerable mount, Cat. No. 1095. The fixed mount is pre-centered at the factory and requires no further adjustment.

The centerable mount provides the ultimate in centration and is usually necessary only for advanced techniques. Centration is best accomplished by removing the eyepiece and observing the image of the aperture diaphragm with a pinhole eyepiece or centering telescope. This adjustment should be made when the objective is properly focused on a slide and the condenser is in correct operating position.

Both condenser mounts are furnished with an iris diaphragm which controls the effective numerical aperture of the objective.

Available, but not included, is a Part No. 1093-4 filter holder ring which attaches by three screws at the lower side of the condenser mount. It accepts filters of 33 mm. diameter such as blue daylight filters or ground glass filters, special colored filters, simple dark-field stop, polaroid disc, etc.

5. Condensers

- a. Aspheric Abbe Condenser, N.A. 1.25, Cat. No. 1084. This condenser is supplied only

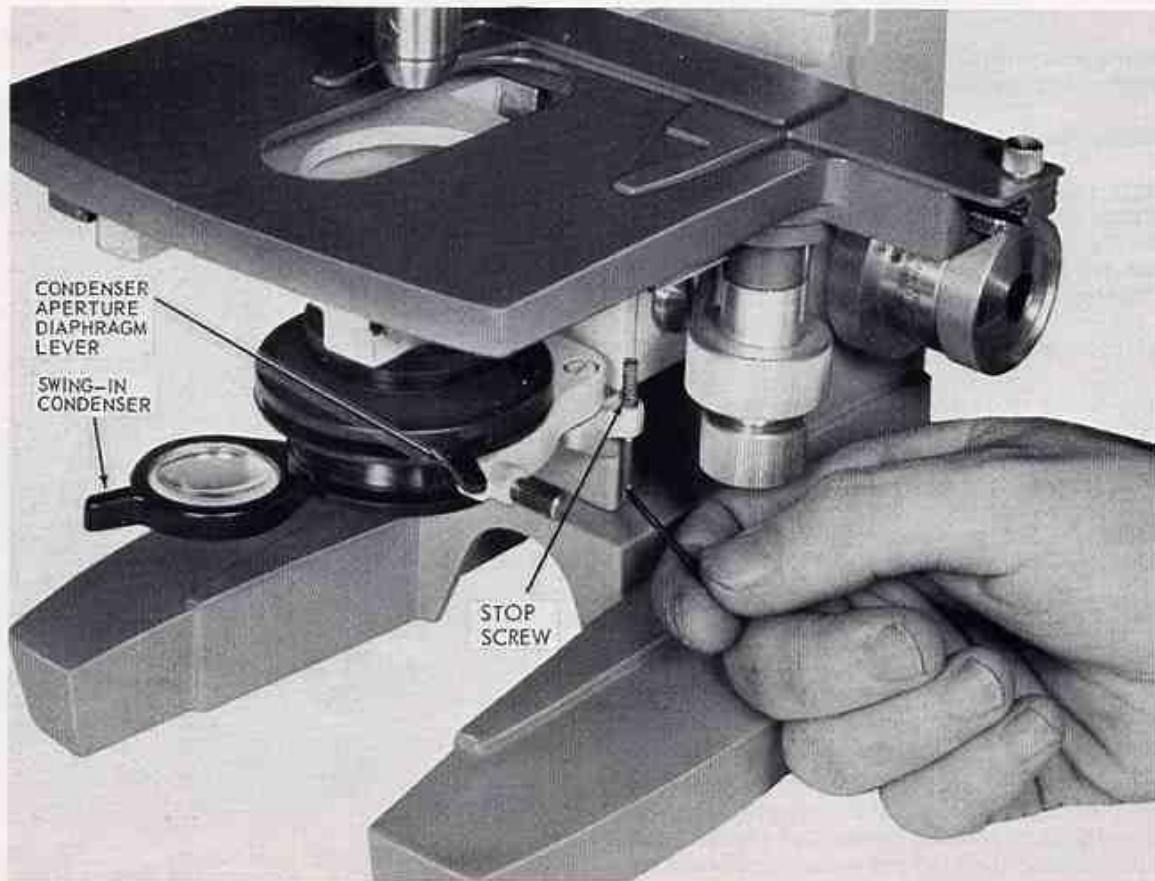


Figure 15. Adjusting Condenser Heights

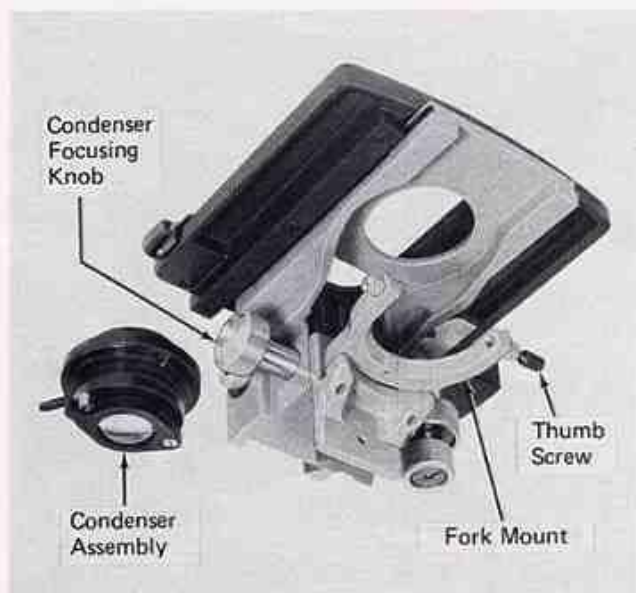


Figure 16. Removal of Condenser Assembly

with MICROSTAR Microscope models having the prefix "L" (equipped with 1036A Illuminator) or "H" (equipped with 1031 Illuminator).

- b. Abbe Condenser, N.A. 1.25, Cat. No. 1088. The condenser is essential for use with oil immersion objectives on MICROSTAR Microscope models equipped with Nos. 1034, 1036, 1037 illuminators or No. 1038 mirror assembly.

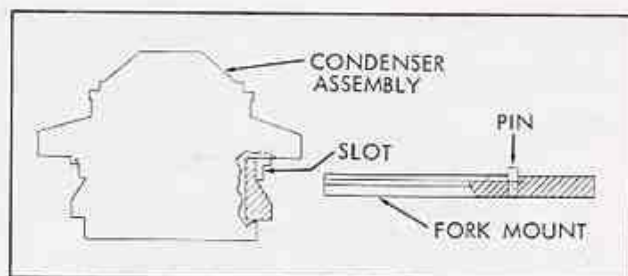


Figure 17. Fork Mount

- c. Abbe Condenser, N.A. 0.66, Cat. No. 1089. This condenser is adequate for microscopes equipped with dry objectives.
- d. Auxiliary Swing-in Condenser, Cat. No. 1085. This condenser (figure 19) permits filling the entire field of the 2.5X and 4X scanning objectives when using the No. 1031 or 1036A In-Base Illuminators, or when using external illuminators with the plano mirror. It is not required when the microscope is equipped with on-base illuminators, Cat. No. 1034 and No. 1037.

If ordered later, the auxiliary swing-in condenser and stop pin can be readily attached to the bottom of the condenser mount in the threaded holes provided.

For instructions on the use of darkfield condenser or phase condenser, see reference manuals furnished with these units.

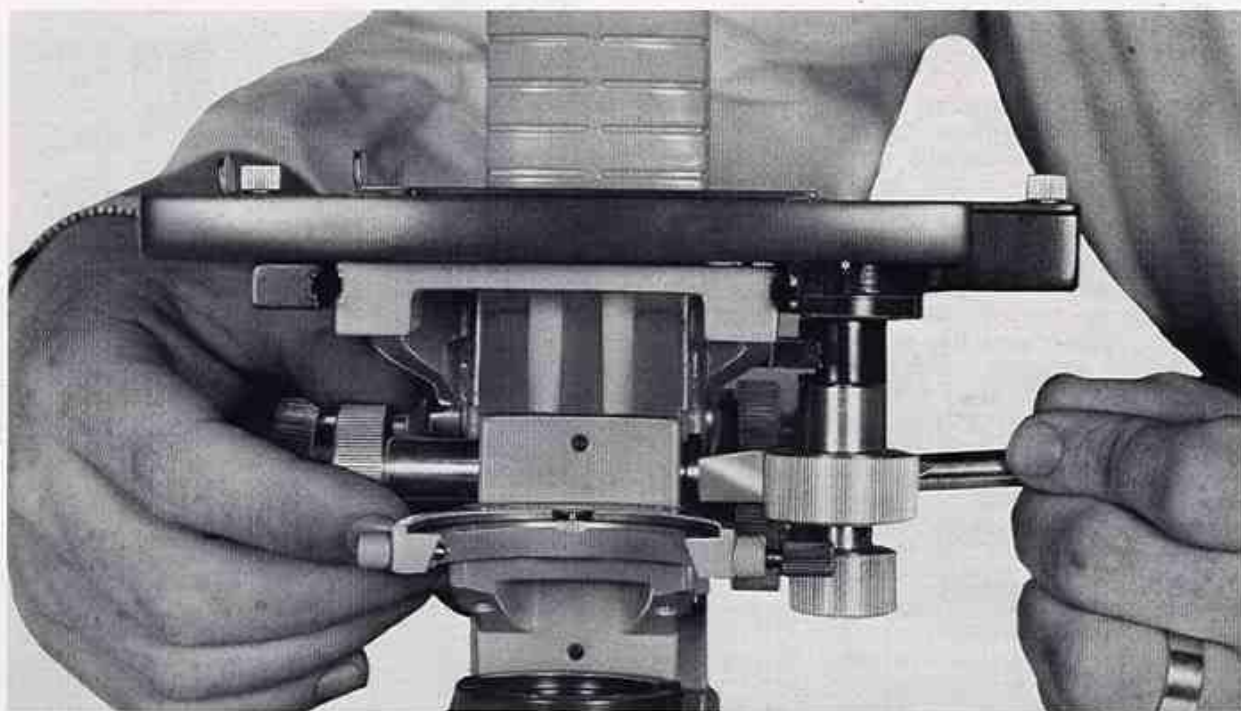


Figure 18. Adjustment of Focusing Tension

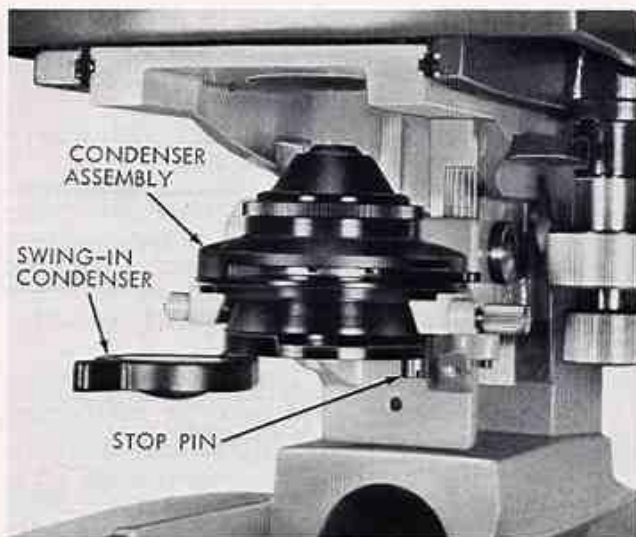


Figure 19. Auxiliary Swing-in Condenser

X BODIES

1. Attaching and Removing Body

All bodies attach interchangeably to the upper arm support. See figure 1. The dovetail is accurately located by firmly tightening the knurled screw. Rotation of 180° does not impair centration. All bodies incorporate a telescope lens system designed specifically for the AO MICROSTAR Microscope infinity corrected objective. All air-glass surfaces have a low reflection coating (Americote) for maximum light transmission and image contrast.

2. Monocular Bodies

Two types of monocular bodies are available; (1) Inclined for maximum viewing comfort, Cat. No. 1041; and (2) Vertical for photographic use, Cat. No. 1040.

3. Binocular Body, Cat. No. 1042

The AO unique construction automatically maintains constant tube length by linking the telescope lens assembly to the interpupillary change mechanism (figure 20). This means that a change of interpupillary distance does not affect parfocality, magnification, or calibrations which depend on magnification.

Interpupillary distance is changed by means of the thumb wheel provided. Always use the thumb wheel for this adjustment instead of trying to pull the tubes apart. Return to correct interpupillary setting is instantly accomplished by means of the scale provided.

The left eyepiece tube is focusable to compensate for refraction differences of the eyes. The correct procedure is to focus on the specimen through the right eyepiece only, using the fine adjustment of the microscope, while covering the left eyepiece. Then focus the specimen through the left eyepiece by turning the eyepiece while covering the right eyepiece and without disturbing the fine adjustment. This is better practice than alternately opening and closing the eyes.



Figure 20. Interpupillary Distance Adjustment

4. Trinocular Body, Cat. No. 1043

Construction of the trinocular body (figure 21) is very similar to that of the binocular. Instead of a fixed reflecting prism, this component is in a swing-out mount actuated by an external lever. With the prism swung out, all of the light goes to the third tube for photography or screen viewing. The photographic eyepiece tube is easily removable for use with integral cameras or for use with the viewing screen as illustrated in figure 22. The dust cap should always be installed when the photographic eyepiece or integral camera are not in use.

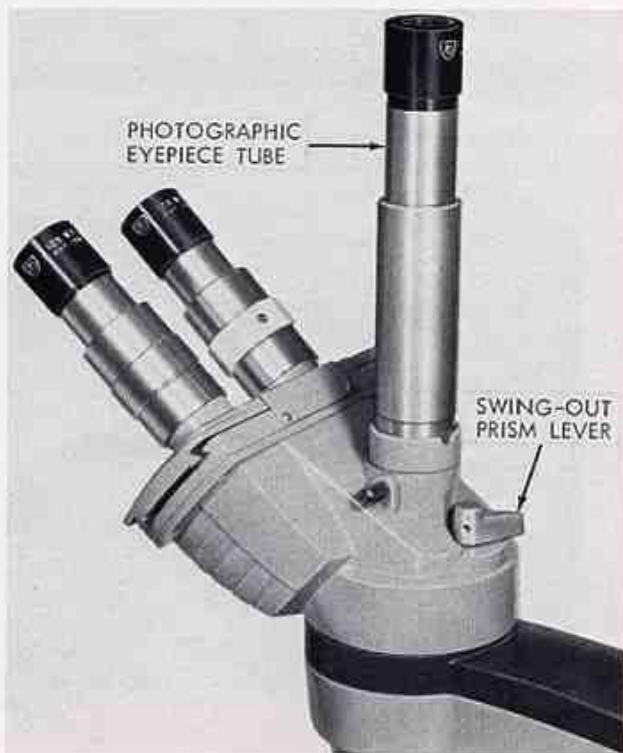


Figure 21. Trinocular Body

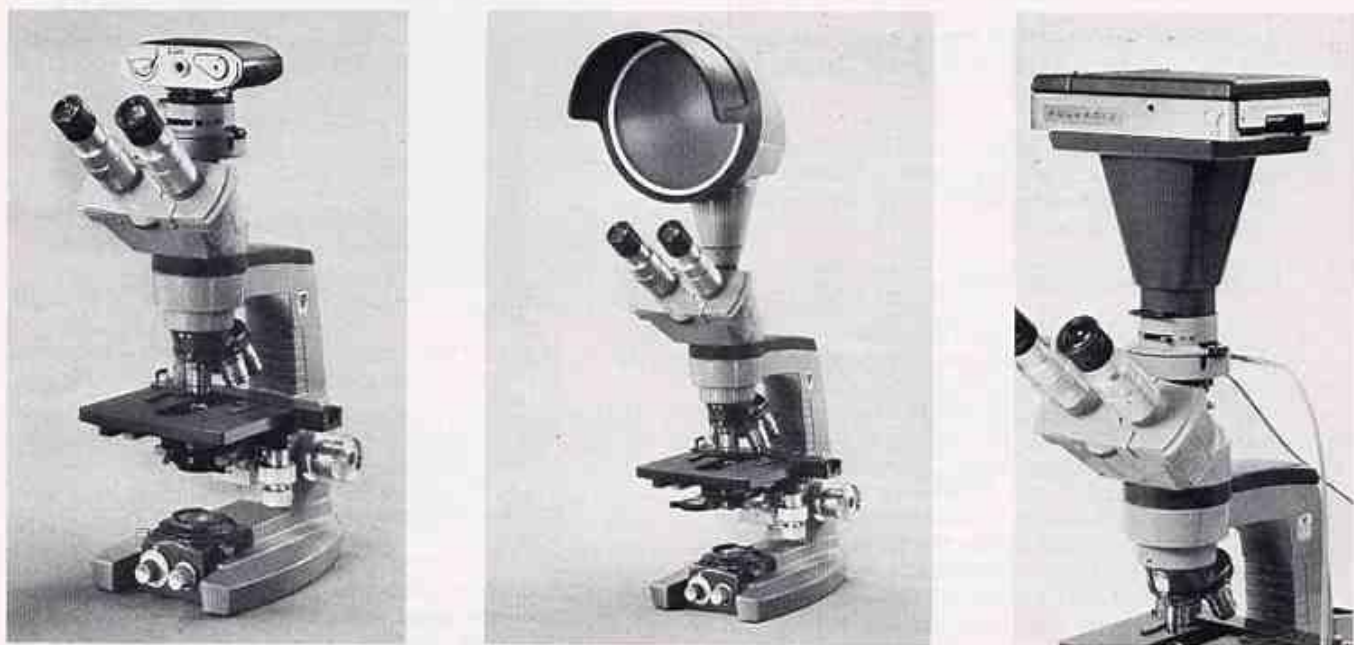


Figure 22. Trinocular Body with Integral Cameras and Viewing Screen

XI ILLUMINATORS

The MICROSTAR Microscope offers choice of four illuminators or mirror to meet your specific requirements.

I. "On-Base" Type Illuminator

- a. Cat. No. 1034. This illuminator (figure 23) is designed specifically for monocular models. If ordered with the microscope, it comes attached to the base. If ordered separately, it is easily attached by means of the two screws on the under side of the base. It utilizes a 15 watt medium screw base, 115 volt lamp, and plugs directly into a 115 volt AC outlet. A convenient on-off switch is located at the top of the illuminator.

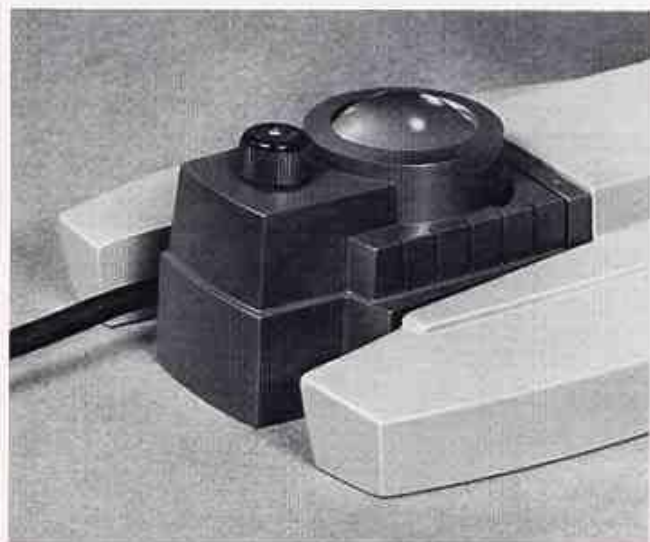


Figure 23. Cat. No. 1034 Illuminator

- b. Cat. No. 1037. This illuminator is designed specifically for binocular models. Similar in appearance and construction to Cat. No. 1034 except that it contains a more highly corrected aspheric condenser yielding greater intensity.

- c. Changing Lamp. CAUTION: UNPLUG POWER CORD BEFORE PROCEEDING. To change lamp in Cat. No. 1034 or No. 1037 illuminators, refer to figure 24. The top half of the illuminator is removable from the lower half by unlocking the slide catch on the under side of the illuminator. Tilt the microscope on its side for ready access. When this catch is unlocked,

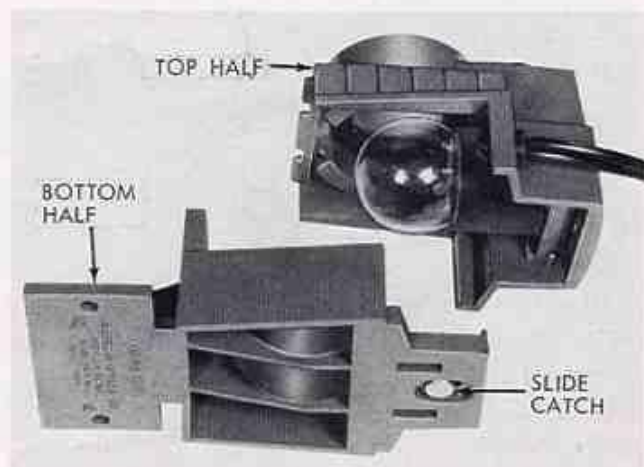


Figure 24. Changing Lamp in "On-Base" Illuminator

the top half lifts off the lower half. Be sure that the top half is located properly before replacing.

- d. Lamp Specification, Cat. No. 611. Manufacturer's designation 15S11/102. Wattage 15, voltage 115, filament C-7A. Base medium screw. Rated hours 400.

2. "In-Base" Type Illuminator

- a. Catalog No. 1031. This Illuminator contains a high intensity 6V, 20 watt tungsten halogen lamp that provides uniform intensity throughout its life at a consistent desirable color temperature of 3200°K (at 6V setting). Ideal for advanced laboratory work, darkfield, phase, photomicrography and viewing screen use. Built-in continuously variable transformer allows exact adjustment of intensity levels for all situations. Swing-in neutral density filter conveniently controlled by external knob eliminates need for loose density filters. A dual viewing receptacle for #1039 or #1049 Dual Viewing Adapters is incorporated in the base.

Well-corrected, pre-focused optical system of No. 1031 contains a centerable iris field diaphragm to fully and evenly illuminate all fields of view. Satisfies Koehler-type illumination requirements. (See page 4, Fig. 5.)

1031 Illuminator consists of the following items (Fig. 25): 1031 Illuminator with built-in transformer, Dual Viewing Receptacle; 1036-867 Lamp Socket Assembly; 1120 Tungsten Halogen Lamp 6V, 20W (Phillips #7388); 1031-1 Lamp Tool; 406 Blue Filter.

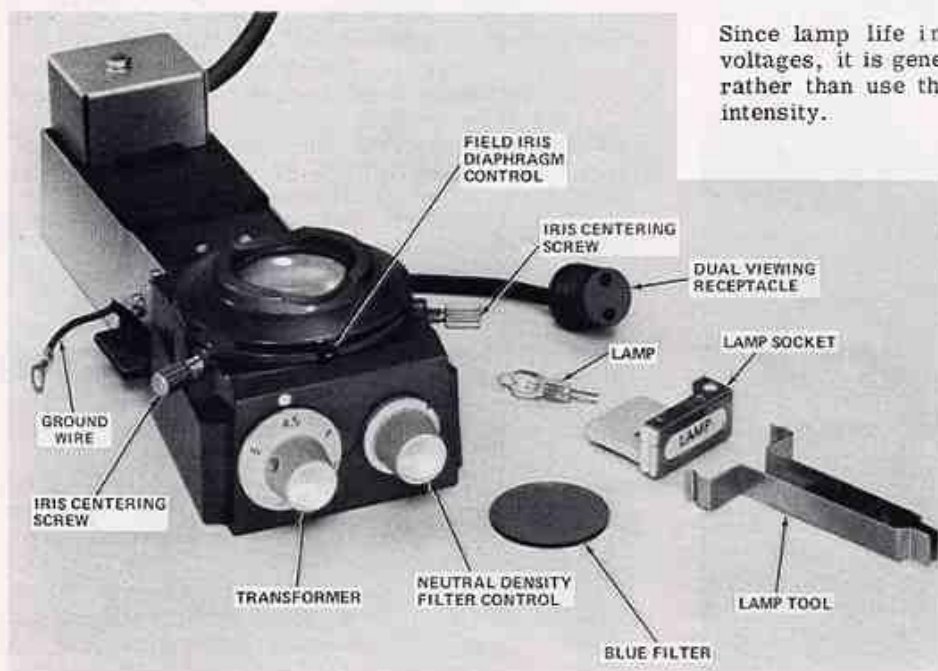


Figure 25. Components of 1031 Illuminator

When ordered with the microscope, 1031 Illuminator with transformer is mounted at the factory. If purchased separately, it must be installed on the microscope.

b. Installation

1. Position microscope on its side and remove existing illuminator or mirror.
2. Remove 10-96 cover plate as shown in Fig. 26.
3. Position the strain relief on the cord in opening at rear of microscope.
4. Attach Illuminator by means of two mounting screws (supplied). Be sure to push illuminator firmly against rear of base to insure proper alignment. Attach ground wire to left screw as shown in figure 27.
5. Four foot pads No. 10-147 for the microscope base are supplied to allow proper clearance for the dual viewing receptacle. They may be mounted in place of or directly on top of the existing foot pads. NOTE: The pads are impregnated with cement that can be softened by adding one or two drops of solvent such as xylene.

Figure 27 shows the Illuminator properly mounted.

c. Transformer Settings

1031 Illuminator has a continuously variable transformer with voltage settings of 4, 4.5, 5 and 6 volts. While the 4.5 volt setting is recommended for most brightfield work, the red 5 and 6 volt settings are usually required for photomicrography, phase contrast and darkfield applications.

Since lamp life increases significantly at lower voltages, it is generally advisable to reduce voltage rather than use the neutral density filter at higher intensity.

A separate 31.5mm diameter blue filter is supplied which fits onto top of light well of Illuminator. It provides a quality of light approximating daylight and is preferred for most visual uses.

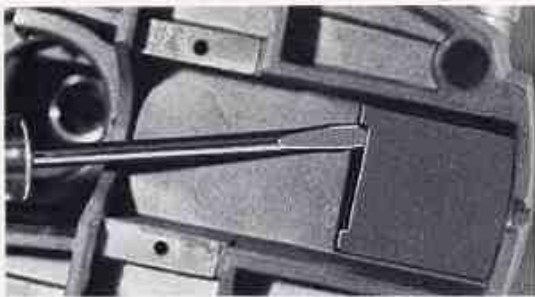


Figure 26. Removing Cover Plate

d. Neutral Density Filter

The neutral density filter, incorporated in the 1031 Illuminator, has a transmission value of 15% and is controlled by the smaller knob on front of housing. When using higher voltage settings for brightfield work, it is more comfortable to use this filter. For phase, darkfield, photomicrography or viewing screen use, this filter should not be used.

e. Changing Lamp

(See Figs. 27, 28 & 29)

CAUTION: UNPLUG POWER CORD BEFORE PROCEEDING.

1. Tilt microscope over on its side and remove 1031-1 Lamp Tool from its storage position.
2. Use wide end of Tool to remove the Lamp Socket Assembly from the Illuminator (Fig. 28).

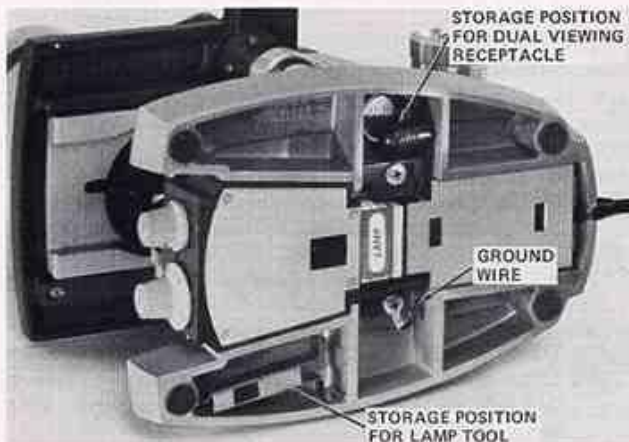


Figure 27. Properly Mounted 1031 Illuminator

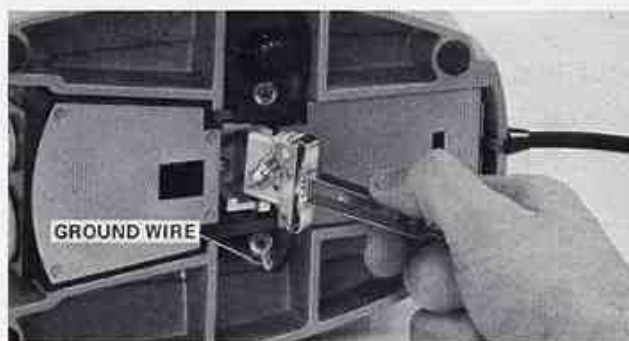


Figure 28. Removing Lamp Socket

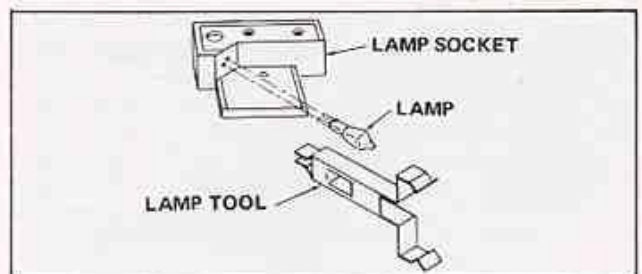


Figure 29. Proper Position of Lamp Tool for Removing 1120 Lamp

3. Use narrow end of Lamp Tool to remove Tungsten Halogen Lamp from socket (Fig. 29). TO AVOID FINGERPRINTS ON ENVELOPE OF NEW LAMP, PLACE IT IN 1031-1 LAMP TOOL BEFORE INSERTING INTO SOCKET.

NOTE: Initially, the 1120 Lamp may fit tightly into lamp socket due to residual burrs on lamp pins.

f. Dual Viewing Receptacle

Fig. 27 shows storage position for the dual viewing receptacle. When using 1039 or 1049 Dual Viewing Adapters, remove receptacle and draw cord out from side of microscope base so it will be free to accept illuminated-pointer power cord of Adapter.

g. Cleaning (1031 and 1036A)

Cleaning the top lens element and the neutral density filter will occasionally be required. The assembly is so designed that the top portion can be easily removed.

1. Loosen the two field iris centering screws.
2. Press top of unit toward rear of microscope base and tilt front up. It will then readily disengage.
3. Use only a soft cloth or camel's hair brush on neutral density filter.
4. Use a mild soap solution on lens.
5. When re-assembling, be sure that index screw aligns with slot (Fig. 30) so that top portion will seat properly on illuminator base.

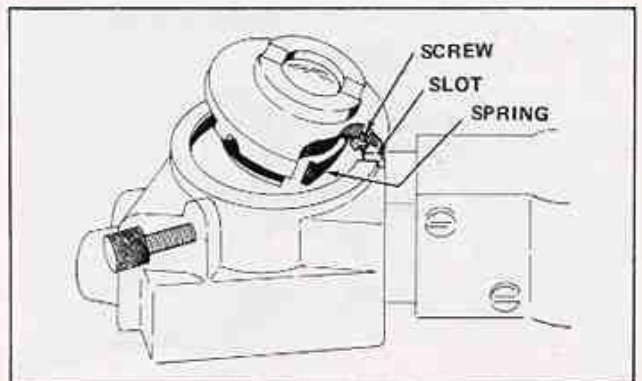


Figure 30. Removing Top Portion of 1031 or 1036A

3. Cat. No. 1036A In-Base Illuminator

- a. Contains an integral neutral density filter (10% transmission) controlled by a lever on front of illuminator. Five-step transformer (Cat. No. 1051) provides variable intensity levels of 6.5V 2.75A precentered lamp (GE 1460). Installation and centration is same as outlined for Model 1031. See page 36 for lamp changing instructions. See page 15 for Cleaning Instructions.
4. Cat. No. 1038 Plano-Concave Mirror and Fork Assembly . . . readily interchangeable with above illuminators.

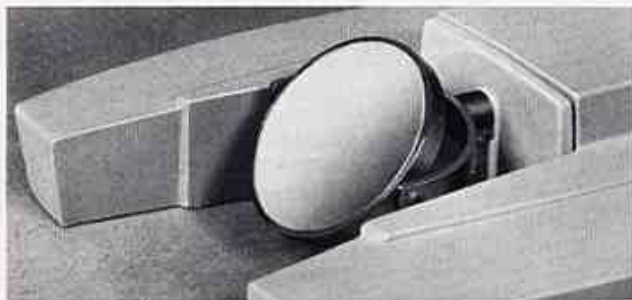


Figure 31. Plano-Concave Mirror and Mount

XII OPERATING PROCEDURE

1. Adjust the Light Source

- a. If your instrument is equipped with either Cat. No. 1034 or Cat. No. 1037 "On-Base" Illuminator (see p. 13), simply plug into a convenient 115 volt AC outlet and turn "on" switch located at the top of the illuminator.
- b. In the event that your instrument is equipped with the Cat. No. 1031 "In-Base" Illuminator and built-in variable transformer or Cat. No. 1036A illuminator with separate transformer, proceed as follows:

Turn on the transformer to the 5 volt setting.

Initial centration of the In-Base Illuminator is most important. This is accomplished by visually aligning the mount and housing of the illuminator as shown in figure 32. Using the two centering screws, adjust the position of the mount until it is concentric

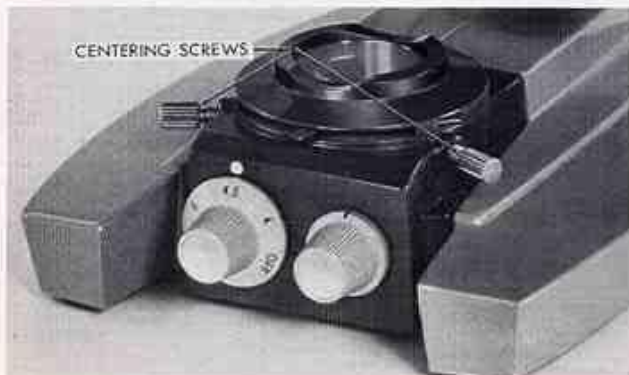


Figure 32. Cat. No. 1031 Illuminator

with the housing. When so geometrically centered approximately the same amount of "thread" will be exposed on both centering screws. Fully open the field diaphragm of the illuminator by means of the lever indicated. Depending upon the specimen and application involved, light intensity can be increased or reduced at the transformer, or by means of the neutral density filter built-in to the Cat. No. 1031 and 1036A Illuminators.

- c. If using an external light source with Cat. No. 1038 plano-concave mirror assembly, adjust mirror tilt for optimum illumination.

2. Fully open the aperture diaphragm of the condenser (figure 33).



Figure 33. Substage Condenser and Aperture Diaphragm

3. Place a stained specimen slide on the stage.
4. Rotate the microscope objective nosepiece to move the 10X objective into working position.
5. Check to see that the auxiliary swing-in condenser (used only with 2.5X and 4X objectives) is out of the light path.
6. Raise the microscope condenser by means of the condenser rack and pinion knob, figure 34. Raise until the top of the condenser is approximately the thickness of a piece of paper beneath the slide.

Lower the 10X objective by rotating a coarse adjustment knob to its positive stop. Use a fine adjustment knob to bring the specimen into sharp focus.

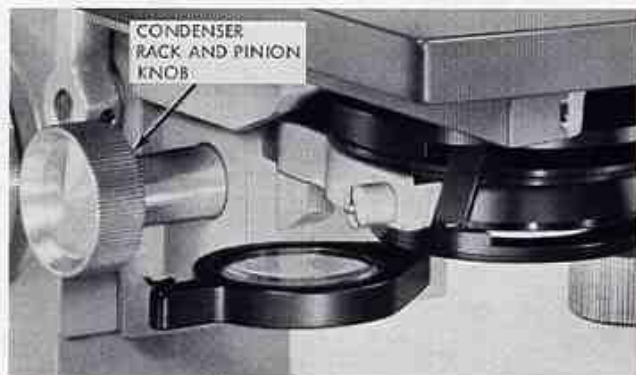


Figure 34. Condenser Rack and Pinion Knob

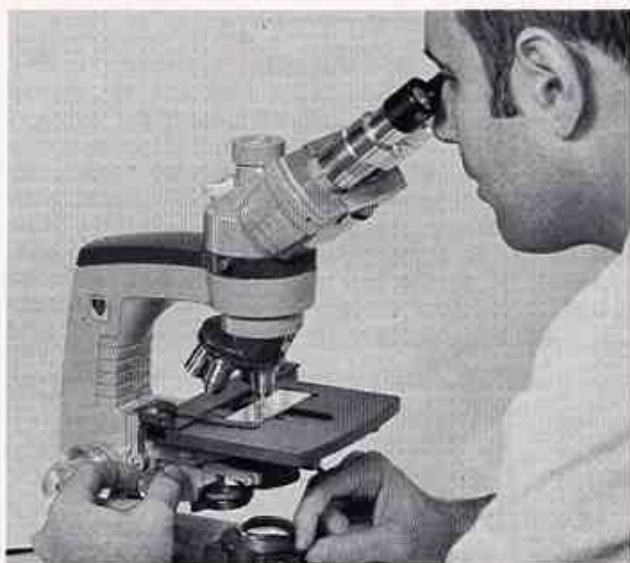


Figure 35. Viewing the Back Aperture

7. Adjust the microscope body for interpupillary setting and eye difference (Binocular Models).
8. While viewing thru the microscope, partially close the field diaphragm (move lever approximately 1" to the right as shown in figure 35) so that the iris diaphragm leaves are imaged within the field of view. Bring the leaves into sharp focus by raising or lowering the condenser by means of the condenser rack and pinion knob without disturbing the fine adjustment knob setting.
9. Using the two centering screws simultaneously (figure 32) center the image of the field diaphragm to the periphery of the field of view. After centering, open the field diaphragm until the iris leaves "just" disappear from the field of view.
10. Remove an eyepiece and view the back aperture of the objective as shown in figure 36. Close the condenser aperture diaphragm... Then re-open until the iris diaphragm leaves "just" disappear from view to obtain the full resolving power of the microscope. If desired, the condenser aperture diaphragm may be closed as required, depending upon the specimen, to enhance contrast and depth of focus.
11. When changing to higher power objectives, the positions of the aperture and field diaphragms must be reset. As magnification increases, the aperture diaphragm must be opened and the field diaphragm closed as required. Also re-center field diaphragm and refocus the condenser if necessary.
12. Remember that the aperture and field diaphragms are never used to control light intensity. This is accomplished more effectively by means of supplemental filters — which may be inserted in the condenser filter slot as required.

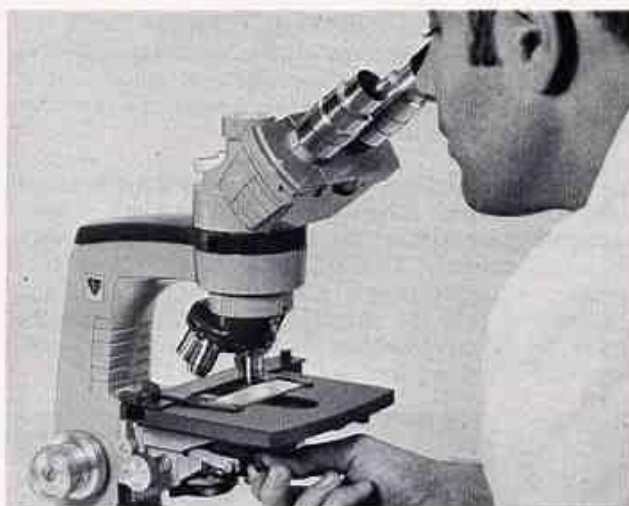


Figure 36. Setting the Aperture Diaphragm

XIII CARE OF THE MICROSCOPE

1. General

Cleanness of all optical components of the microscope is important for good optical performance. Therefore, the microscope, when not in use, should always be covered with the plastic cover provided. If any optical surface becomes badly coated with dust or dirt, all such loose dust or dirt should be blown off with a syringe or removed with a camel's hair brush before attempting to wipe the surface clean.

Optical surfaces should be cleaned with a lint-free cloth, lens tissue, or a Q tip moistened with xylene or alcohol. It is very important to avoid the use of excessive solvent. The cloth, lens tissue, or Q tip should be just moistened with solvent, and not wet enough for the solvent to run down in around the lens with the resultant danger of loosening cement on interior surfaces.

2. Cleaning Objectives

No part of the microscope is quite so vulnerable to lack of complete cleanness as the front lens of the objective. Fingerprints and oil smears on the front lens will greatly impair the performance of a fine objective. Whenever lack of contrast, cloudiness, or

poor definition is encountered, carefully check the condition of the front lens with a magnifier. Subtle loss of contrast and definition due to a slight smear on the front lens is often overlooked and can be avoided with routine inspection and cleaning.

The lower magnification objectives with fairly large plano front lenses can be cleaned with a cloth or lens tissue wrapped around the finger and moistened with xylene or alcohol. The 40X, 45X, and 100X oil immersion objectives require a little more care, and examination with a magnifier is recommended; the 10X wide field eyepiece, reversed, is an excellent magnifier for this purpose. See figure 37.

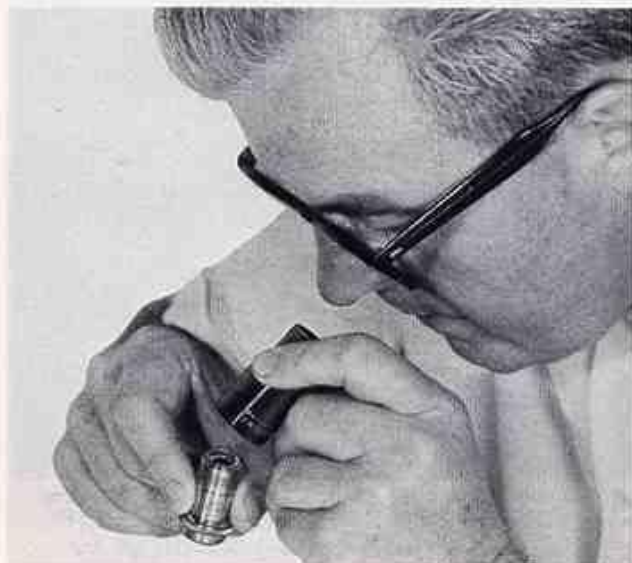


Figure 37. Checking for Cleanness

To achieve the high degree of flatness obtained with the new #1023 40X planachromatic objective, it was necessary to utilize a small concave front lens of fairly short radius of curvature. The surface of this front lens can be readily cleaned as illustrated in figure 38 with a toothpick covered with cotton at the tip, or with a small Q tip. Moisten the cotton with xylene or alcohol, and squeeze almost dry. Wipe the front lens lightly without applying any undue force or scrubbing action. Make sure that the cotton tip contacts the concave lens surface. Check with the magnifier after cleaning.

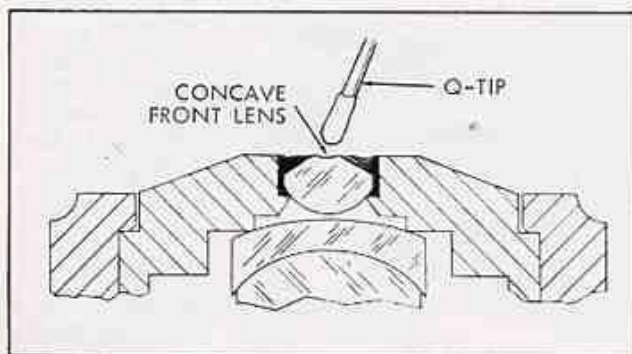


Figure 38. Cleaning Front Lens of #1023 40X Objective

3. Cleaning Monocular Bodies

The reflecting mirrors within the inclined monocular body are protected from loose dust and dirt by the telescope lens assembly at the bottom of the body and by a protective window at the bottom of the eyepiece tube. Remove and clean the protective window as illustrated in figures 39 and 40. Before removing the two small Allen screws, mark with a pencil the position of the eyepiece tube with respect to the body assembly so that it can be reinstalled at the same height. If the eyepiece tube is removed without marking, it can be returned to the proper height as follows:

Remove the body assembly, insert an eyepiece in the eyepiece tube, and insert the eyepiece tube in body assembly. View a distant object through this assembly, and focus by adjusting the height of the eyepiece tube. When the distant object is in sharp focus, the height of the eyepiece tube is correct. Lock the eyepiece tube in this position with the two Allen screws.

4. Cleaning Binocular Body

The internal optical surfaces of the binocular body are sealed against entry of dust and dirt by the telescope lens assembly at the bottom of the body, and by the plano parallel glass windows at the bottom of each eyepiece tube. The external surface of the telescope lens assembly seldom needs cleaning because it is protected when the body is in place.

CAUTION

When removing the binocular body, be careful not to get fingerprints on the lower lens surface.

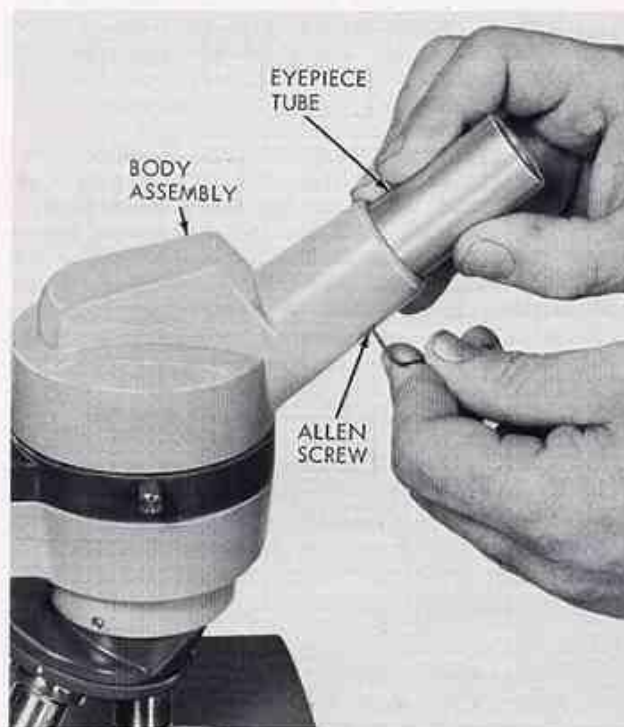


Figure 39. Removing Eyepiece Tube

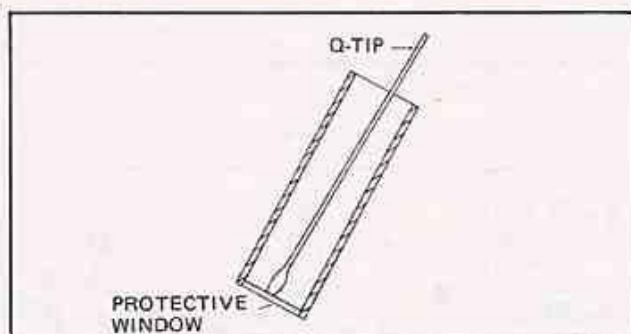


Figure 40. Cleaning Protective Window

The eyepiece tube windows are most easily cleaned with a Q tip moistened with a mild soap solution, or, if necessary, xylene or alcohol. If the eyepieces are removed from the microscope during storage, be sure to protect the eyepiece tubes against the entry of dust and dirt by inserting the plastic eyecups.

5. Cleaning Trinocular Body

The procedure used for cleaning the binocular body also applies for cleaning the trinocular body except that one additional surface may require cleaning. This surface is the swing-out prism which may collect dust and dirt when the vertical tube, cameras, or viewing screen are removed. The prism can be cleaned with a moistened Q tip. Always keep the protective cap over the third tube opening when accessories are not attached. When the photographic tube is attached, always keep either an eyepiece or the plastic eyecup in place.

6. Mechanical Maintenance

Faithful use of the dust cover is also advantageous in keeping the microscope in good mechanical condition and appearance.

The AO MICROSTAR Microscope is finished in a durable finish which is impervious to most commonly used laboratory reagents. It may be cleaned with a cloth dampened with a mild soap solution or xylene. The same precaution of not using too much solvent should also be followed, because such solvent, running down into bearings, can remove necessary lubricant and cause malfunction.

There is very little in the way of re-lubrication or routine maintenance required on the AO MICROSTAR Microscope. As pointed out previously, the focusing mechanism does not require lubrication, nor does the mechanical stage. The only slide which should require periodic lubrication and cleaning is the substage condenser slide. This should be kept clean by wiping away old lubricant with xylene and re-lubricating with Vaseline or a light grease.

7. Removing Nosepiece

To remove the nosepiece (see figure 41), lower the nosepiece with the coarse adjustment until the front allen screw (A) becomes accessible. Back off the allen screw, and remove the nosepiece. Do not alter the position of the two allen screws on the sides of the arm; these are a factory set adjustment.

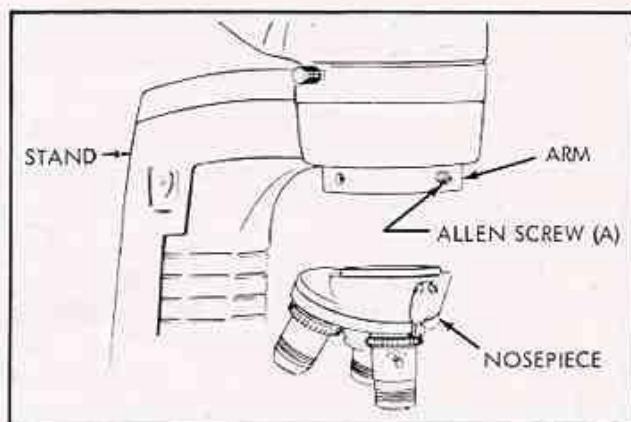


Figure 41. Removing Nosepiece

Complete repair facilities are available at many AO authorized dealers, the American Optical Corporation plant at Buffalo, New York, and AO Technical Service Centers in Chicago, Ill., Glendale, Calif., Springfield, N.J., and Dallas, Texas.

XIV PARTS LIST

1. General

This section contains a listing of parts and illustrations for the AO MICROSTAR Microscope.

The illustrations are used to identify and locate parts of the microscope, and are keyed to the parts lists by the use of index numbers. To order a part, identify and locate the part by using the illustrations. Note the index number for the part and cross-reference it to the parts list. The part number, description, and quantity required will be found opposite the index number.

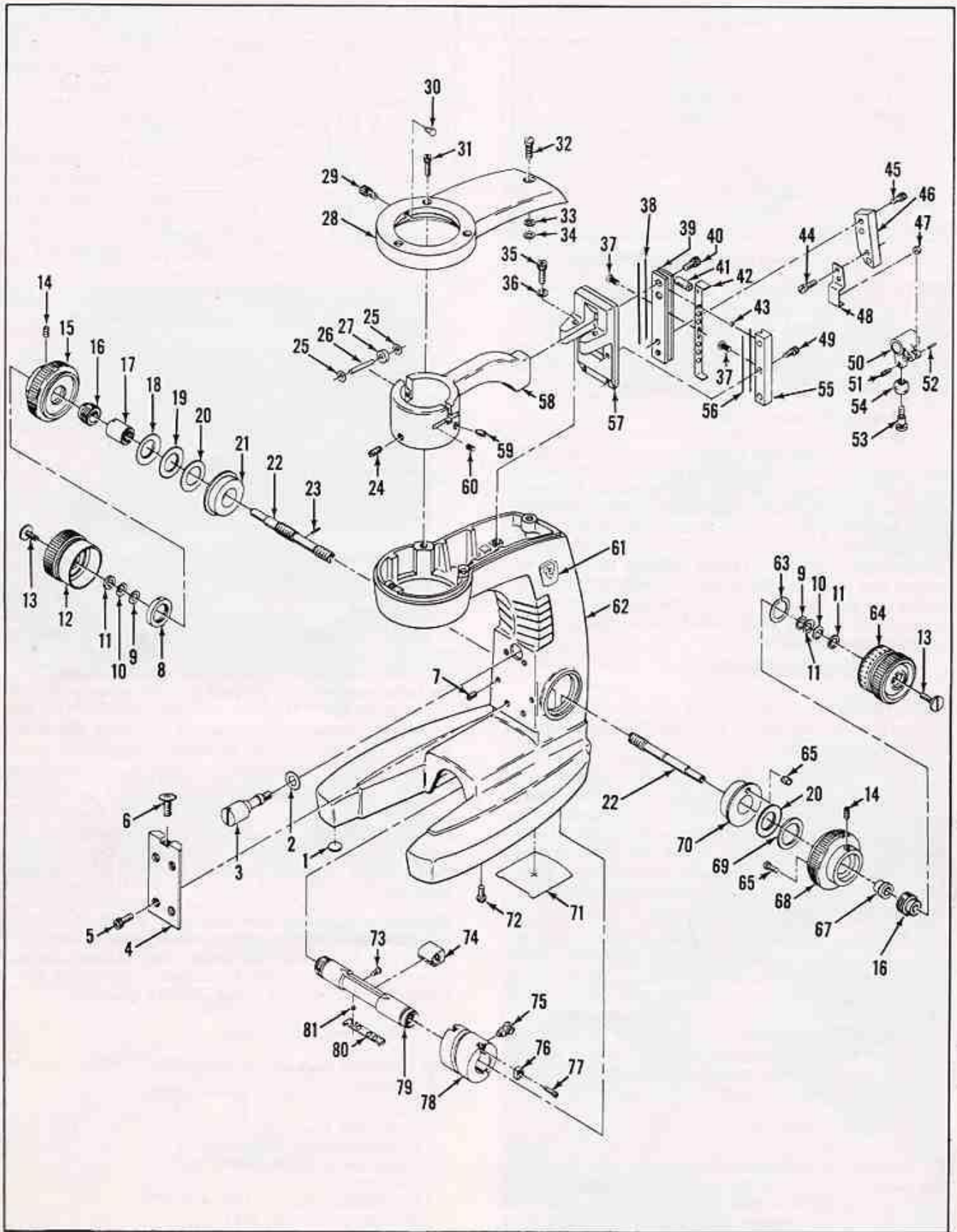
In certain cases, it may be desirable to replace a complete assembly instead of overhauling or rebuilding with detail parts. Where complete assemblies are available, they are indicated by a note in the description column to show which parts they include. Detail parts of these assemblies are also available separately.

Parts or assemblies should be ordered directly from the American Optical Corporation plant at Buffalo, N.Y., or from any AO authorized dealer. When ordering parts, be sure to include a complete description, part number, and correct quantity.

2. Contents

The following is a list of assemblies broken down in this section:

- Stand
- Monocular Assembly
- Trinocular (two illustrations)
- Ungraduated Conventional Stage
- Transformer
- Illuminator, Models 1034 and 1037
- Illuminator, Model 1031
- Illuminator, Model 1036A
- Mirror, Eyepieces



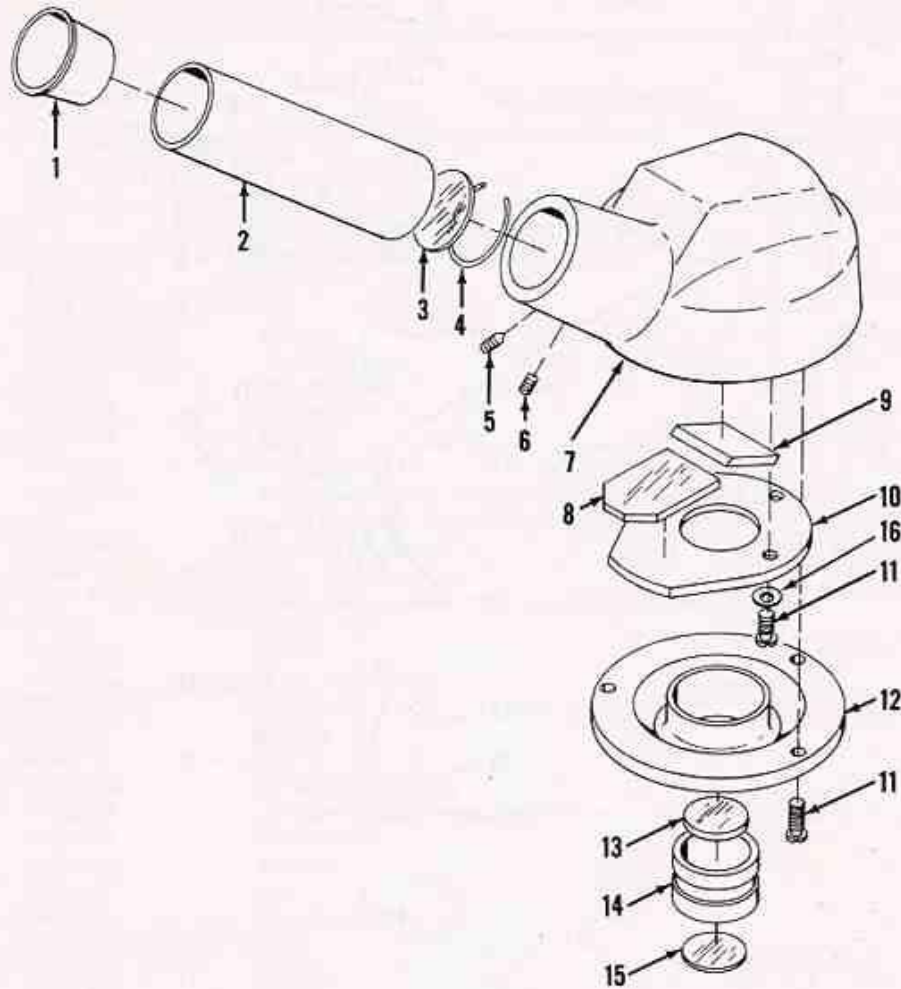
Stand

Stand

Index No.	Part Number	Description	Qty Per Assy
	10-800	Stand	1
1	10-147	Foot, base	4
2	10-88	Washer	1
3	10-87	Screw	1
4	10-22	Slide, stage	1
5	X-19448	Screw	4
6	X-51607-22	Screw, autofocus stop	1
7	X-20648	Setscrew	2
8	10-68	Nut	1
9	10-75	Washer	2
10	X-50491	Washer, spring	3
11	10-62	Washer	2
12	10-91	Knob, plain, fine adjustment	1
13	10-61	Screw	2
14	X-20896-1	Screw	2
15	10-90	Knob, plain, coarse adjustment	1
	10-856	Fine and Coarse Adjustment Assembly (includes items 16, 17, 22, 23, 67, and 73 thru 81)	1
16	10-66	Retainer	2
17	10-142	Bushing, adjustable	1
18	X-50864	Washer, spring	1
19	10-76	Washer, thin fiber	1
20	10-133	Washer, flat steel	2
21	10-92	Bushing	1
22	10-63	Shaft	1
23	X-51350	Pin	2
24	10-93	Screw	1
25	10-18	Washer	4
26	10-109	Pin	2
27	10-21	Bearing, roller	2
28	10-7	Cover	1
29, 30	10-853	Lock Screw Assembly (includes items 29 and 30)	1
31	X-19406-58	Screw	3
32	X-27453-11	Screw	1
33	01068	Washer	1
34	01030-1	Washer	1
35	X-19466	Screw	2
36	01257-2	Washer	2
	10-855	Arm and Slide Assembly (includes items 37 thru 46, 48, 49, and 55 thru 58)	1
37	X-1390-1	Screw	4
38	10-112	Long Wire Track	4
39	10-116	Slide, bearing	1
40	X-19454	Screw	2

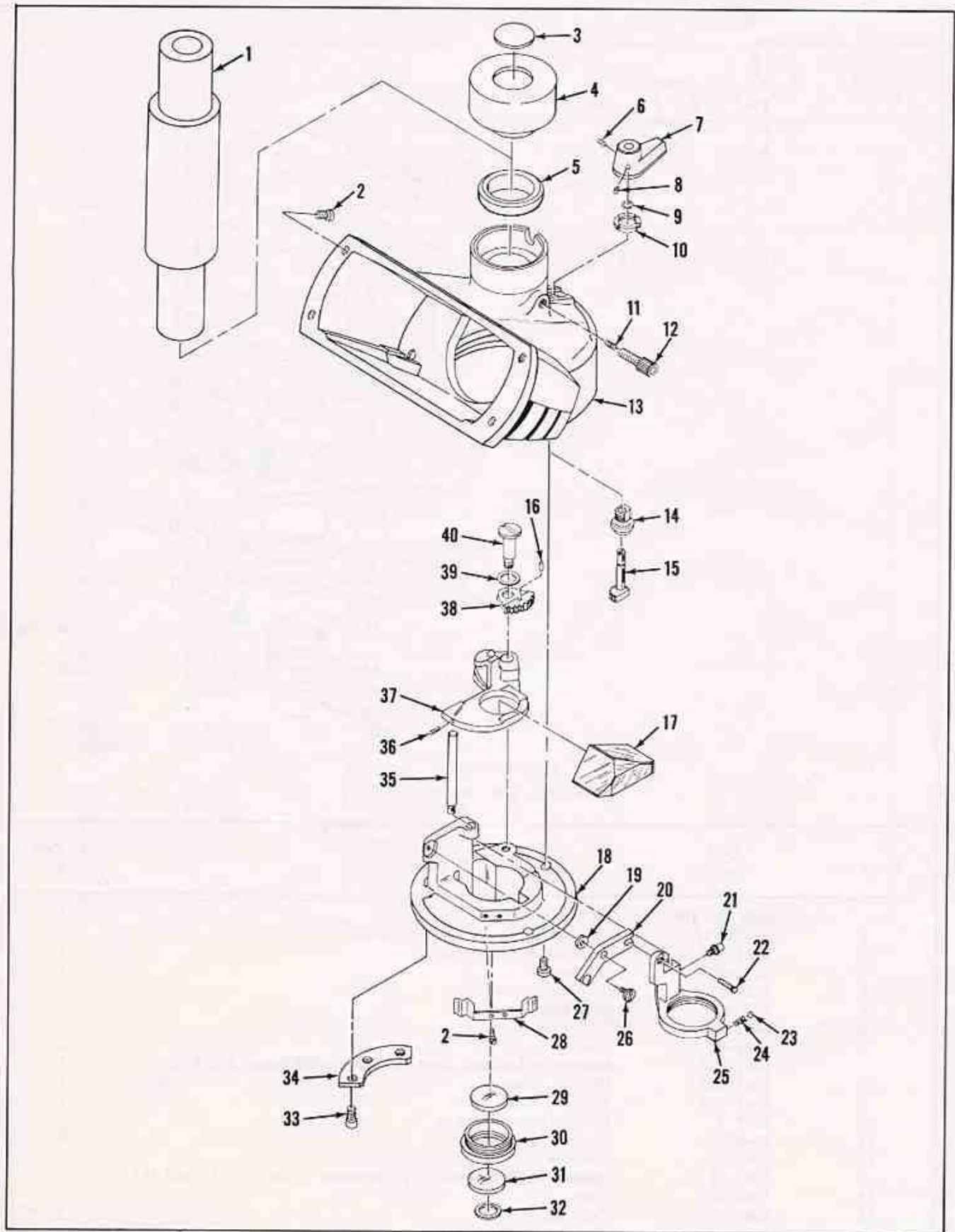
Stand (Cont)

Index No.	Part Number	Description	Qty Per Assy
41	10-102	Roller, stop	1
42	10-97	Retainer, ball	2
43	B35-14	Ball, steel	10
44	X-798	Screw	2
45	X-19400	Screw	2
46	10-28	Block, slide	1
	10-854	Lever Assembly (includes items 47, and 50 thru 54)	1
47	10-86	Bearing, roller	1
48	10-99	Clip	1
49	10-128	Screw	6
50	10-83	Lever	1
51	X-25750-58	Setscrew, Allen	1
52	01521	Pin	1
53	10-85	Screw	1
54	10-84	Ball, adjustment lever	1
55	10-115	Gib, bearing	2
56	10-113	Short Wire Track	4
57	10-130	Bracket, bearing	1
58	10-141	Arm, inner	1
59	10-98	Screw	2
60	10-110	Spring	2
61	X-50963	Nameplate	2
62	10-119	Arm, stand	1
63	X-51180	Ring, retaining	1
64	10-60	Knob, fine adjustment	1
65	X-51603	Pin	2
67	10-145	Bearing, shaft	1
68	10-129	Knob, coarse adjustment	1
69	10-134	Washer, fiber	1
70	10-131	Bushing	1
71	10-96	Cover	1
72	X-29067-2	Screw	2
73	10-135	Screw	1
74	10-81	Follower, fine adjustment	1
75	10-80	Screw	1
76	10-79	Block, bearing	2
77	10-122	Screw	2
78	10-78	Worm, coarse adjustment	1
79	10-144	Barrel	1
80	10-82	Separator	2
81	10-6	Ball, steel	6



Cat. No. 1041 Monocular Body

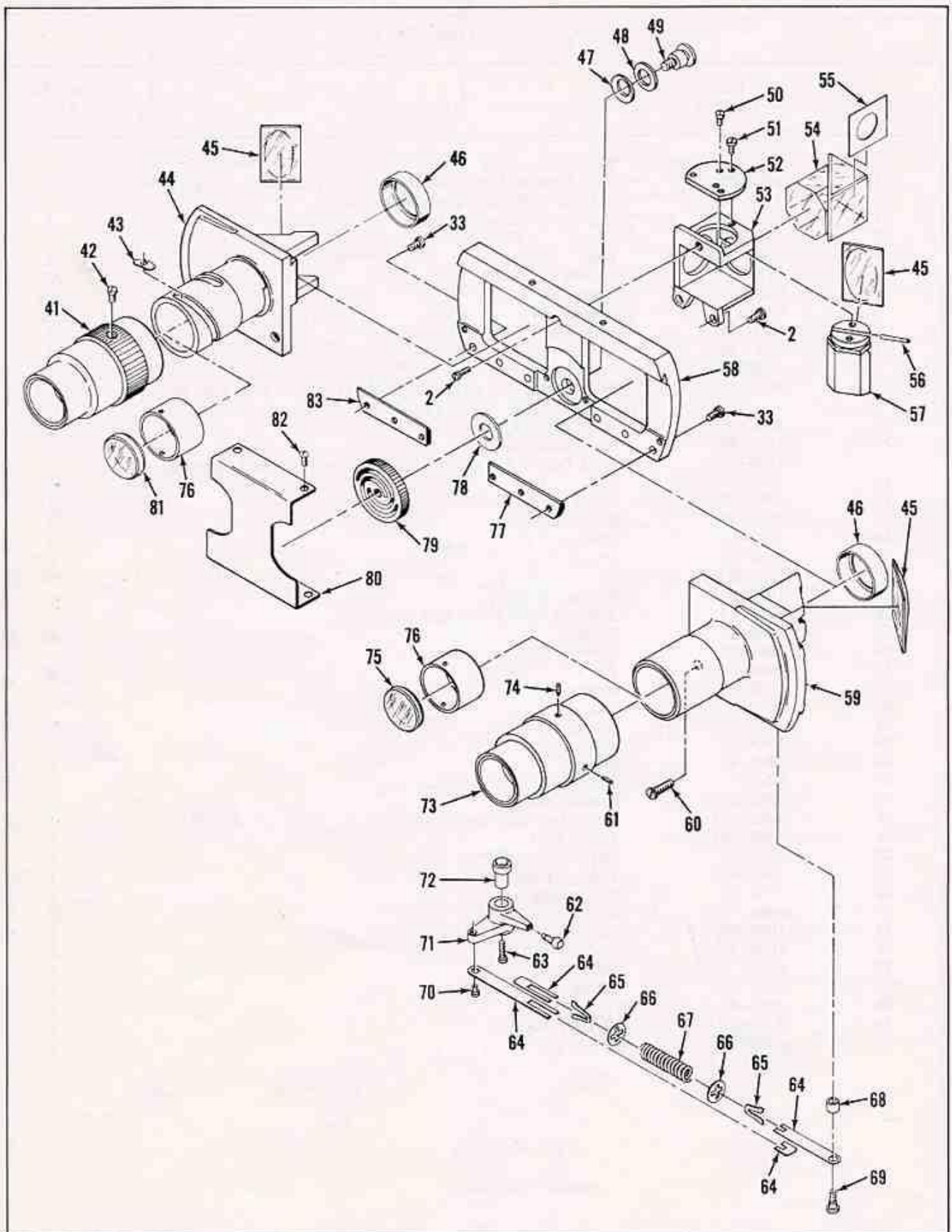
Index No.	Part Number	Description	Qty Per Assy
	Cat. No. 1041	Monocular Body	1
1	X-50550	Cap, dust	1
2	1041-501	Draw Tube Assembly	1
3	1042-607	Window	1
4	1041-11	Retainer, window	1
5	X-21336	Setscrew	1
6	X-25100	Setscrew	1
7	1041-3	Body	1
	1041-853	Mirror and Mount Assembly (includes items 8 and 10)	1
8	1041-601	Mirror, lower	1
9	1041-602	Mirror, top	1
10	1041-7	Mount, lower mirror	1
11	60-57	Screw	6
12	1041-4	Adapter	1
	1041-851	Telescope Cell Assembly (includes items 13, 14, and 15)	1
13	1042-602	Lens	1
14	1041-5	Cell, telescope	1
15	1042-601	Lens	1
16	01091-3	Cup Washer	3



Cat. No. 1043 Trinocular Body (Sheet 1 of 2)

Cat. No. 1043 Trinocular Body

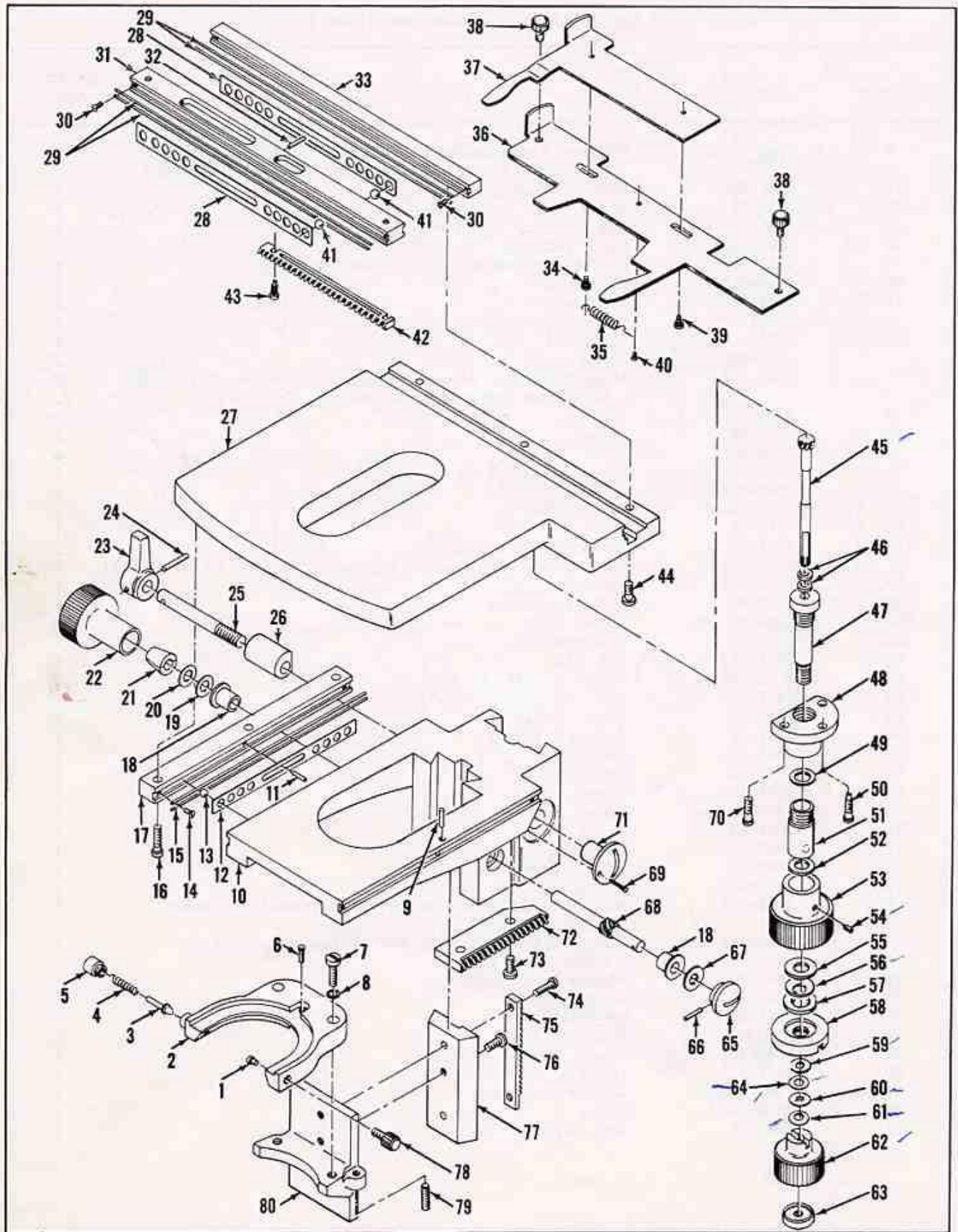
Index No.	Part Number	Description	Qty Per Assy
*	Cat. No. 1043 1043-852	Trinocular Body Telescope and Throw-In Assembly (includes items 2, 16, 18 thru 26, 28, and 33 thru 40)	1
1	1043-503	Camera Tube Assembly	1
2	1042-52	Screw	8
3 & 4	1043-860	Cap	1
5	01374	Spacer	AR
	01375	Spacer	AR
	01376	Spacer	AR
6	X-21336	Setscrew	1
7	1043-66	Lever	1
8	X-25100	Setscrew	1
*	1043-854	Body Lever and Arm Assembly (includes items 9, 10, 13 thru 15, and 62 thru 72)	1
9	X-50820	Ring, retaining	1
10	1043-64	Nut, lock	1
*	1043-853	Lock Screw Assembly (includes items 11 and 12)	1
11	10-95	Tip	1
12	1043-76	Screw	1
13	1043-502	Body Assembly	1
14	1043-63	Bushing	1
15	1043-62	Pinion	1
16	X-50763	Pin	1
17	1043-603	Prism, deviating	1
18	1043-14	Adapter, see #1043-852 above	1
19	1042-39	Washer	1
20	1042-38	Lever	1
21	1043-67	Pin	1
22	1042-50	Screw, pilot	1
23	10-6	Ball	1
24	1042-46	Spring	1
25	1043-25	Mount	1
26	1042-40	Screw	1
27	60-57	Screw	3
28	1043-29	Spring, index	1
*	1042-851	Objective Cell Assembly (includes items 29 thru 32)	1
29	1042-602	Lens, flint	1
30	1042-42	Cell, objective	1
31	1042-601	Lens, crown	1
32	1042-59	Diaphragm	1
33	0458	Screw	8
34	1042-47	Retainer	1
35	1042-41	Post	1
36	01541	Pin, index	1
37	1043-16	Mount	1
38	1043-61	Gear	1
39	X-51613	Washer, spring	1
40	1043-68	Screw	1



Cat. No. 1043 Trinocular Body (Sheet 2 of 2)

Cat. No. 1043 Trinocular Body (Cont.)

Index No.	Part Number	Description	Qty Per Assy
*	1042-859	Slideway Assembly (includes items 41 thru 44, 46 thru 49, 59 thru 61, 73, 74, 78, 79, 83 and Assembly 1042-861)	1
41	1042-80	Sleeve, focusing	1
42	0281-22	Screw	1
43	1042-43	Key, focusing	1
44	1042-75	Slide, left hand	1
*	1042-852	Center Mirror Assembly (includes items 45 and 57)	1
45	1042-610	Mirror	3
46	1042-58	Diaphragm	2
47	01163	Washer, spring	1
48	01293	Washer	1
49	1042-54	Screw	1
*	1042-862	Mount and Prism Assembly (includes items 33, 50 thru 53, 55, 56 and Center Mirror Assembly 1042-852)	1
50	X-32524	Screw	2
51	1042-62	Screw	3
52	1042-55	Plate	1
53	1042-5	Mount, center prism	1
54	1042-703	Prism Assembly	1
55	1042-61	Diaphragm	3
56	1042-56	Pin	1
57	1042-28	Mount, center mirror	1
*	1042-861	Slideway and Gib Assembly (includes items 33, 58, 77 and 83)	1
58	1042-10	Slideway	1
59	1042-74	Slide, right hand	1
60	1042-51	Screw, pilot	2
61	X-25749	Setscrew	1
62	1042-36	Pin, ball	1
63	X-32402-22	Screw	1
64	1043-69	Arm	2
65	1043-72	Clip	2
66	1043-71	Retainer, spring	2
67	1043-70	Spring	1
68	1043-30	Spacer	1
69	1042-30	Screw	1
70	1042-33	Screw	1
71	1042-35	Lever	1
72	1042-37	Bushing	1
73	1042-79	Sleeve, fixed	1
74	X-51403	Screw	1
*	1042-857	Right Hand Diaphragm and Window Assembly (includes items 75 and 76)	1
*	1042-858	Left Hand Diaphragm and Window Assembly (includes items 76 and 81)	1
75	1042-607	Window, right hand	1
76	1042-45	Diaphragm	2
77	1042-49	Gib, right hand	1
78	X-51368	Washer	1
79	1042-26	Wheel, thumb	1
80	1042-3	Cover	1
81	1042-608	Window, left hand	1
82	X-34598-3	Screw	4
83	1042-48	Gib, left hand	1



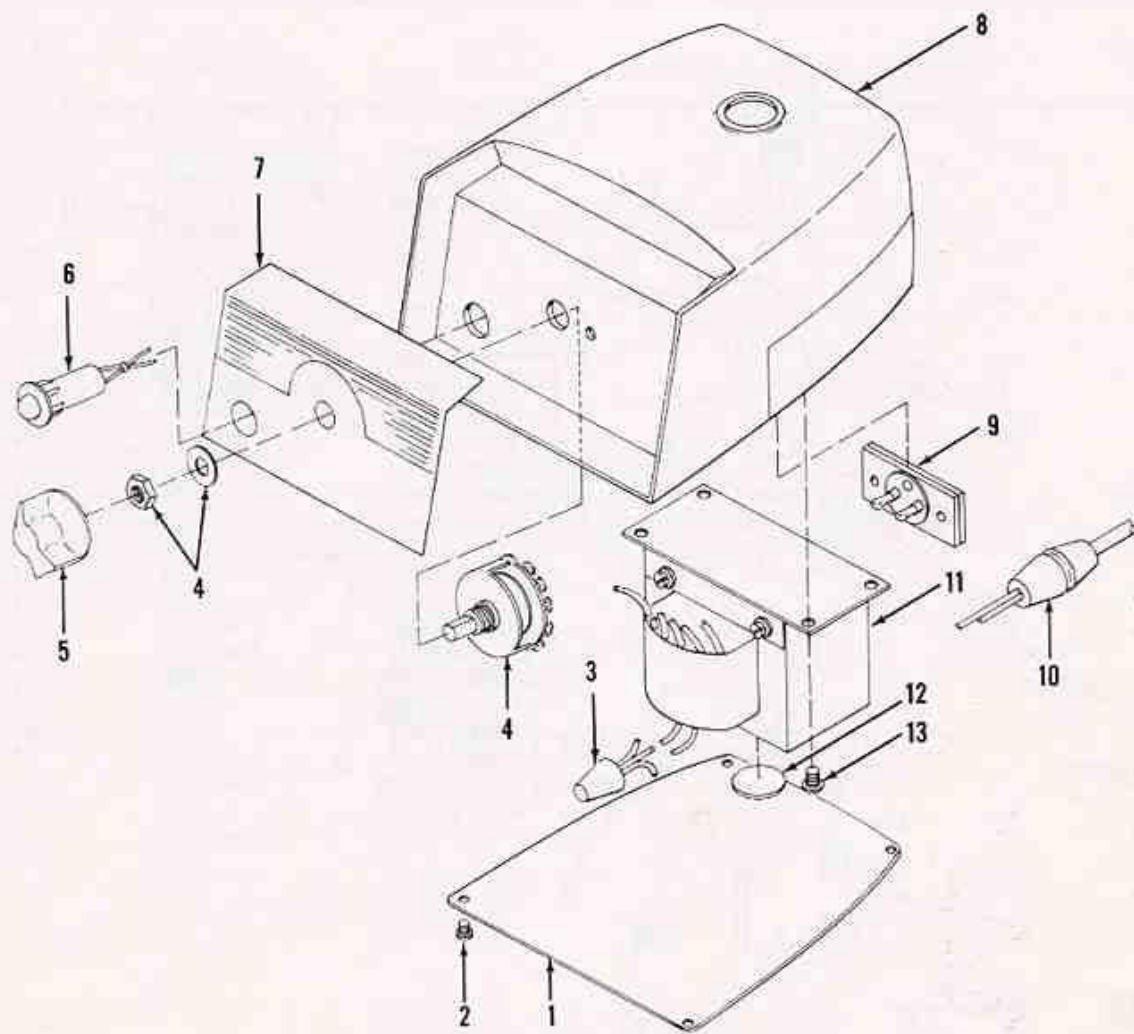
Cat. No. 1062 Ungraduated Mechanical Stage

Cat. No. 1062 Ungraduated Mechanical Stage

Index No.	Part Number	Description	Qty Per Assy
	Cat. No. 1062	Ungraduated Mechanical Stage	
	10-853	Lock Screw (includes items 1 and 78)	1
1	10-95	Tip	1
*	1062-857	Condenser Holder Assembly (incl. items 2, 3, 4 and 5)	1
2	1062-66	Holder, condenser	1
3	35-38	Plunger	1
4	B35-40	Spring	1
5	1062-50	Cap, plunger	1
6	35-79	Index, condenser	1
7	0885-2	Screw	2
8	01025-1	Washer	2
9	X-50468	Pin	1
10	1062-79	Base, stage	1
11	X-50947	Pin	2
12	1062-18	Separator, short	2
13	18020-348	Ball	16
14	X-1390-1	Screw	8
15	1062-19	Track, short	8
16	1062-54	Screw	3
17	1062-20	Guide, short	1
18	B35-47	Bearing	2
19	01186-1	Washer	1
20	1062-60	Spacer	1
21	35-48	Bearing, thrust	2
22	1062-38	Knob	1
*	1062-853	Lock Shaft and Lever Assembly (includes items 23 thru 25)	1
23	1062-35	Lever	1
24	X-15086	Pin	1
25	1062-39	Shaft	1
26	1062-41	Lock, slide	1
27	1062-2	Stage	1
28	1062-8	Separator, long	2
29	1062-21	Track, long	8
30	0128-1	Screw	8
31	1062-64	Slide, cross	1
32	X-50707	Pin	1
33	1062-51	Guide, long	1
*	1062-852	Slide Holder Assembly (includes items 34 thru 40)	1
34	1062-12	Screw	1
35	33-79	Spring	1
36	1062-10	Finger, fixed	1
37	1062-11	Finger, sliding	1
38	1062-14	Knob	2
39	1062-13	Screw	1
40	0886-1	Screw	1
41	11330-90	Ball	20
42	1062-9	Rack, long	1
43	0861-1	Screw	2
44	1062-53	Screw	3

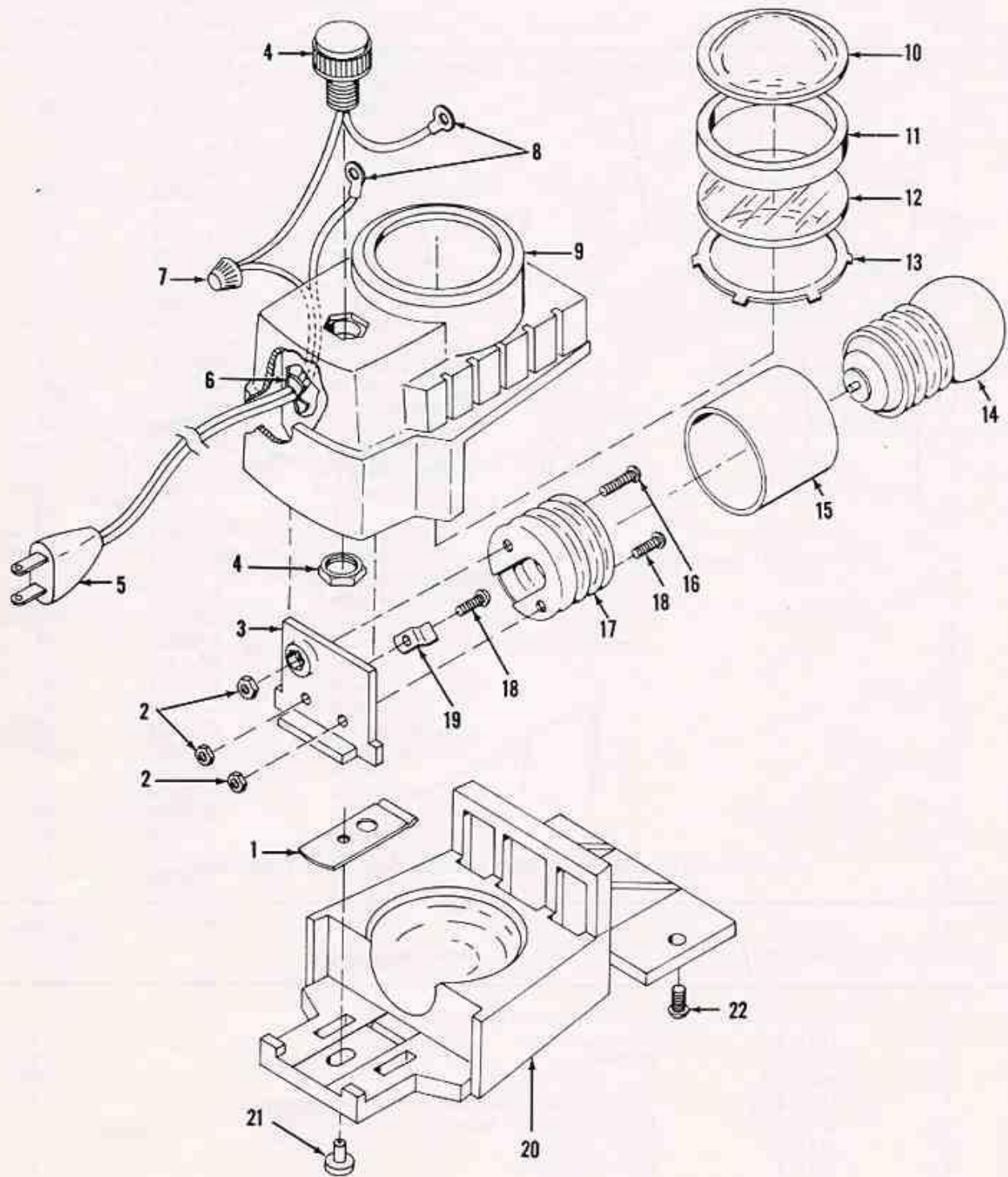
Cat. No. 1062 Ungraduated Mechanical Stage (Cont)

Index No.	Part Number	Description	Qty Per Assy
*	1062-856	Control Assembly (includes items 45 thru 49, and 51 thru 64)	1
45	1062-68	Shaft, inner	1
46	1062-84 & 1062-85	Washer	1
47	1062-24	Sleeve	1
48	1062-23	Mount, sleeve	1
49	1062-70	Bearing, thrust	1
50	1062-15	Screw, stop	1
51	1062-69	Shaft, outer	1
52	1062-72	Bearing, thrust	1
53	1062-77	Knob, large	1
54	X-36845	Setscrew	1
55	1062-27	Washer, thrust	1
56	X-50584	Washer, spring	1
57	1062-59	Washer, thrust	1
58	1062-29	Nut, adjustable	1
59	1062-83	Bearing, thrust	1
60	1062-73	Washer	1
61	1062-76	Washer, spring	1
62	1062-31	Knob, small	1
63	1062-16	Nut	1
64	1062-71	Washer	1
*	1062-854	Adjustable Pinion Assembly (includes items 18, 65, 66, 67, and 68)	1
65	1062-37	Button, slide	1
66	X-15084	Pin	1
67	01183-1	Washer	1
68	1062-36	Pinion	1
69	1062-61	Screw	1
70	1062-42	Screw	2
71	1062-40	Button, locking	1
72	1062-17	Rack, short	1
73	1062-45	Screw	2
74	0862-1	Screw	2
75	1062-57	Rack	1
76	0863-1	Screw	1
77	1062-46	Slide, bracket	1
78	10-10	Screw	1
79	X-36702	Screw	1
80	1062-48	Bracket	1



Cat. No. 1051 Transformer used with Cat. No. 1036A Illuminator

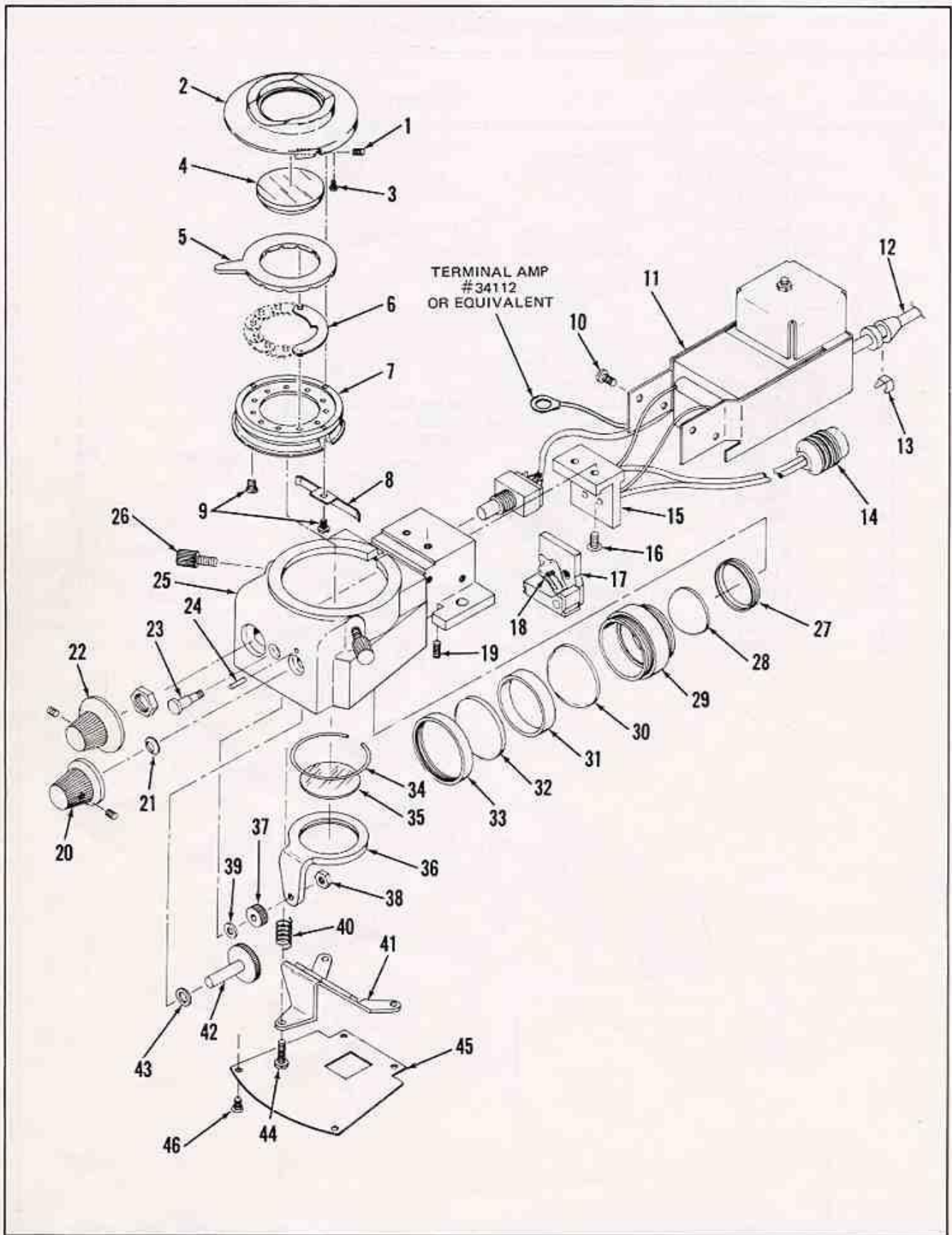
Index No.	Part Number	Description	Qty Per Assy
1	Cat. No. 1051	Transformer, 120 V, 60 cycle	1
2	1051-3	Cover, bottom	4
3	X-9542	Screw	4
4	X-50282	Nut, wire	2
5	1051- 3 7	Switch, rotary (nut and lockwasher supplied)	1
6	X-51376	Knob and Screw Assembly	1
7	11144-7	Light, pilot	1
8	1051-4	Nameplate	1
9	651-15	Cover, case	1
10	651-5	Receptacle	1
11	651-10	Cord Set	1
12	1051-1	Transformer	1
13	11201-77	Pad, base	1
	X-9548	Screw	4



Illuminators, Models 1034 and 1037

Illuminators, Models 1034 and 1037

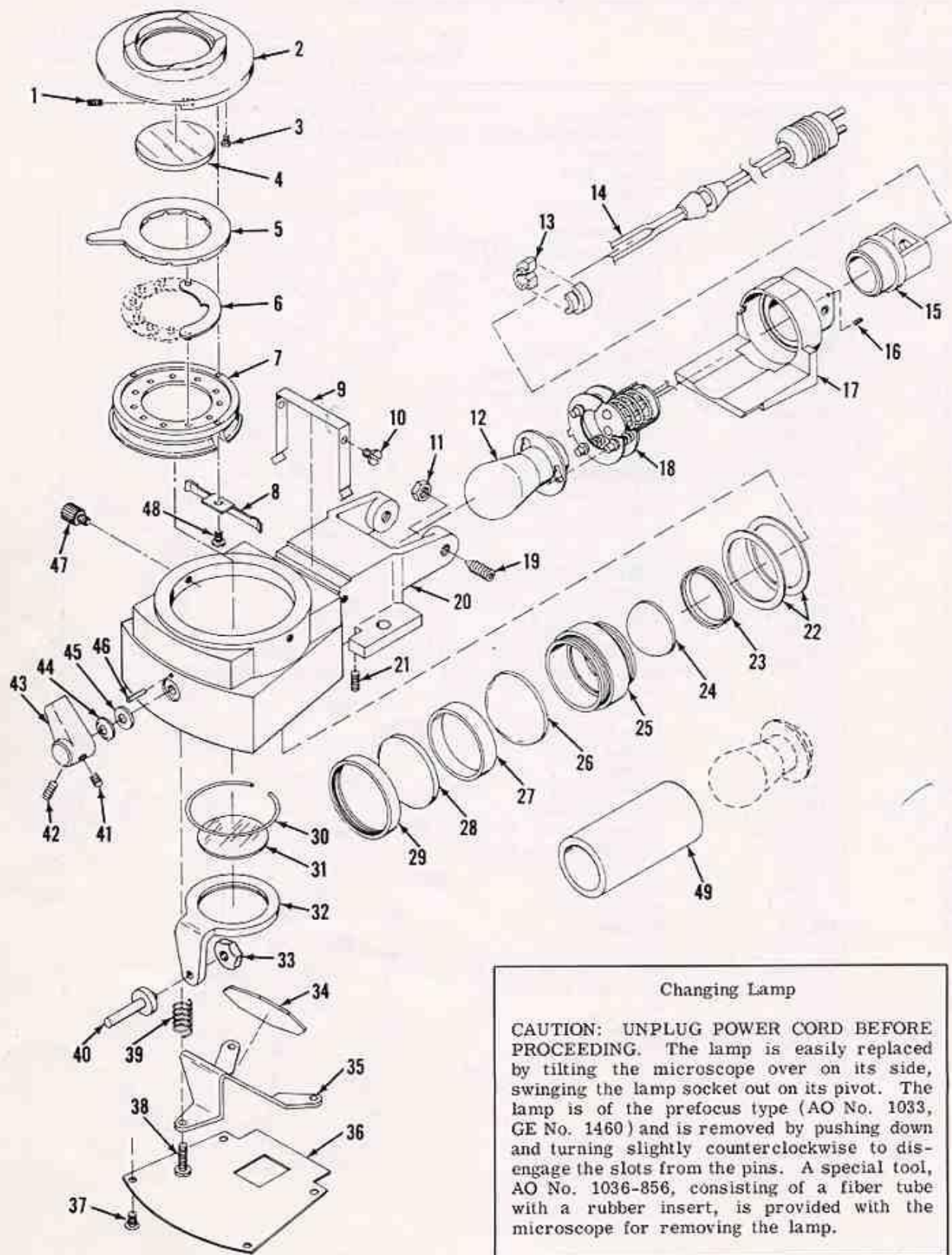
Index No.	Part Number	Description	Qty Per Assy
	Cat. No. 1034	Illuminator	
	Cat. No. 1037	Illuminator	
1	1037-4	Slide, lock	1
2	X-8000-1	Nut	3
3	1037-5	Support, socket shell	1
4	1037-8	Switch, rotary (nut supplied)	1
5	1037-10	Cord Set	1
6	X-36442	Strain Relief	1
7	X-50060	Nut, wire	1
8	X-50039	Connector, wire	2
9	1037-2	Housing, lamp	1
10	610-601	Lens (used on 1034 only)	1
	1037-602	Lens (used on 1037 only)	1
11	1037-3	Ring, separator (used on 1037 only)	1
12	614-601	Glass, blue (used on 1034 only)	1
	1037-601	Glass, blue (used on 1037 only)	1
13	X-50882	Ring, retaining	1
14	611	Lamp	1
15	1037-6	Sleeve, shell	1
16	X-74-1	Screw	1
17	610-7	Shell, socket	1
18	X-68-1	Screw	2
19	610-9	Connector, terminal	1
20	1034-2	Base, lamp (used on 1034 only)	1
	1037-9	Base, lamp (used on 1037 only)	1
21	1037-7	Rivet, slide	1
22	X-29067-2	Attaching Screw	2



Cat. No. 1031 Illuminator

Cat. No. 1031 Illuminator

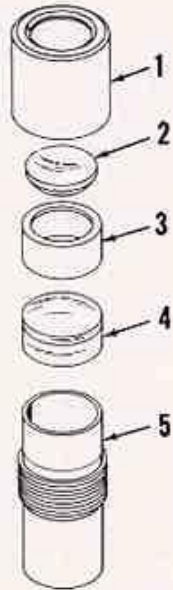
Index No.	Part Number	Description	Qty Per Assy
	Cat. No. 1031	Illuminator	
*	1036-862	Iris Mount Assembly (includes items 1 through 9)	1
1	X-53012	Setscrew	1
2	1036-41	Mount, lens	1
3	0229	Screw	1
4	1036-610	Lens, field	1
5	1036-38	Ring, shifting	1
6	1093-851	Leaf Assembly, iris	11
7	1036-36	Mount, iris	1
8	1036-64	Spring	1
9	1042-52	Screw	3
10	X-38016	Screw	4
11	1036-501	Control Assembly	1
12	X-53031	Cord, power, 3 wire	1
13	1036-65	Retainer, power cord	1
14	1036-63	Connector, female	1
15	1036-869	Mount Assembly	1
16	X-34589	Screw	2
17	1036-867	Socket Assembly	1
18	1120	Halogen Lamp	1
19	X-36691	Setscrew	1
20	1036-866	Filter Knob Assembly	1
21	01228-2	Spring Washer	1
22	1036-83	Control Knob	1
23	1036-57	Screw	1
24	X-50947	Pin	1
25	1036-82	Lamp Housing	1
26	10-853	Lock Screw Assembly	2
*	1036-870	Objective Lens Assembly (includes items 27 through 33)	1
27	1036-7	Retainer Ring	1
28	1036-611	First Lens	1
29	1036-48	Lens Cell	1
30	1036-602	Second Lens	1
31	1036-8	Spacer	1
32	1036-603	Third Lens	1
33	1036-9	Retaining Ring	1
34	1036-35	Retaining Ring	1
35	1036-601	Neutral Density Filter	1
36	1036-33	Bracket	1
37	1036-54	Gear, Driver	1
38	X-8010-2	Nut	1
39	01012-1	Washer	1
40	1036-16	Spring	1
41	1036-868	Mirror and Bracket Assembly	1
42	1036-865	Gear Shift Assembly	1
43	01287	Washer	1
44	0306-1	Screw	3
45	1036-58	Cover	1
46	X-1390	Screw	4



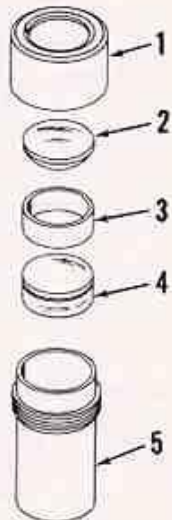
Cat. No. 1036A Illuminator

Cat. No. 1036A Illuminator

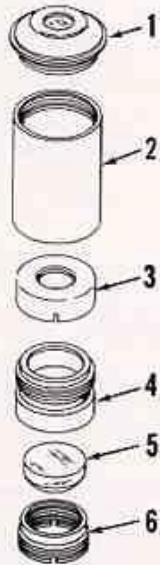
Index No.	Part Number	Description	Qty Per Assy
*	Cat. No. 1036A 1036-862	Illuminator Iris Mount Assembly (includes items 1 thru 8, and 48)	1
1	X-36715	Setscrew	1
2	1036-41	Mount, lens	1
3	0229	Screw	1
4	1036-610	Lens, field	1
5	1036-38	Ring, shifting	1
6	1093-851	Iris Leaf Assembly	11
7	1036-36	Mount, iris	1
8	1036-37	Diaphragm centering spring	1
9	1036-10	Clip, spring	1
10	0143	Screw	2
11	1036-49	Nut	2
*	1036B	Cord Socket and Housing Assembly (includes items 13 thru 18)	1
12	Cat. No. 1033	Lamp	1
13	X-36441	Strain Relief	1
14	1036-18	Cord Set	1
15	1036-22	Adapter	1
16	X-20631	Setscrew	1
17	1036-4	Housing, socket	1
18	1036-20	Socket	1
19	X-25484	Setscrew	2
20	1036-31	Housing, lamp	1
21	X-36687	Setscrew	1
22	01294	Spacer	AR
*	1036-863	Lens Assembly (includes items 23 thru 29)	1
23	1036-7	Ring, retaining	1
24	1036-609	Lens, first	1
25	1036-48	Cell, lens	1
26	1036-602	Lens, second	1
27	1036-8	Spacer	1
28	1036-603	Lens, third	1
29	1036-9	Ring, retaining	1
30	1036-35	Ring, retaining	1
31	1036-608	Filter, neutral density	1
32	1036-33	Bracket	1
33	X-8010-2	Nut, hexagonal	1
*	1036-858	Mirror and Bracket Assembly (includes items 34 and 35)	1
34	1036-604	Mirror	1
35	1036-39	Mount, mirror	1
36	1036-46	Cover	1
37	X-1396	Screw	4
38	0306-1	Screw	3
39	1036-16	Spring	3
40	1036-34	Shaft	1
41	X-25100	Setscrew	1
42	X-21336	Setscrew	1
43	1036-15	Lever	1
44	01228-2	Washer, spring	1
45	01112	Washer	1
46	X-50947	Pin	1
47	10-853	Centering Screw	2
48	1042-52	Screw	3
49	1036-856	Bulb Remover Tube	1



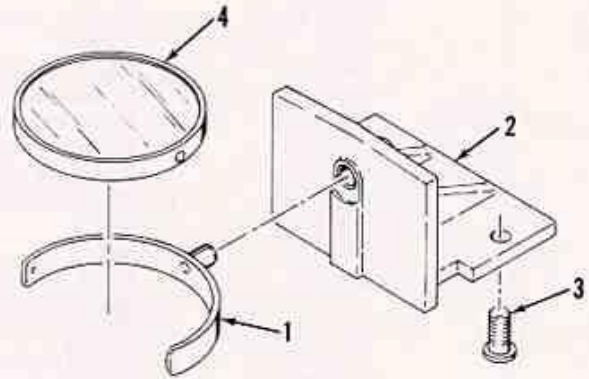
Cat. No. 176
10X Wide Field
Eyepiece



Cat. No. 184
15X Wide Field
Eyepiece



Cat. No. 177
10X Huygenian
Eyepiece



Cat. No. 1038
Plano and Concave Mirror Mount

Index No.	Part Number	Description	Qty Per Assy
*	Cat. No. 176	10X Wide Field Eyepiece	
1	176-2	Cap	1
2	176-603	Front Lens	1
3	176-3	Separator	1
4	176-701	Doublet	1
5	176-1	Tube	1
*	Cat. No. 184	15X Wide Field Eyepiece	
1	184-17	Cap	1
2	184-613	Crown, Single	1
3	184-16	Spacer	1
4	184-703	Doublet	1
5	184-15	Tube	1
*	Cat. No. 177	10X Huygenian Eyepiece	
1	177-851	Eye Cell Assembly	1
2	177-8	Tube	1
3	177-4	Diaphragm	1
4	177-5	Field Cell	1
5	177-603	Field Lens	1
6	177-6	Retainer	1
*	Cat. No. 1038	Plano and Concave Mirror Mount	
1	1038-501	Mirror Fork Assembly	1
2	1038-2	Mirror Bracket	1
3	X-29068-2	Screw	1
4	1038-851	Mirror Assembly	1



**AMERICAN OPTICAL
CORPORATION**

SCIENTIFIC INSTRUMENT DIVISION • BUFFALO, N. Y. 14215