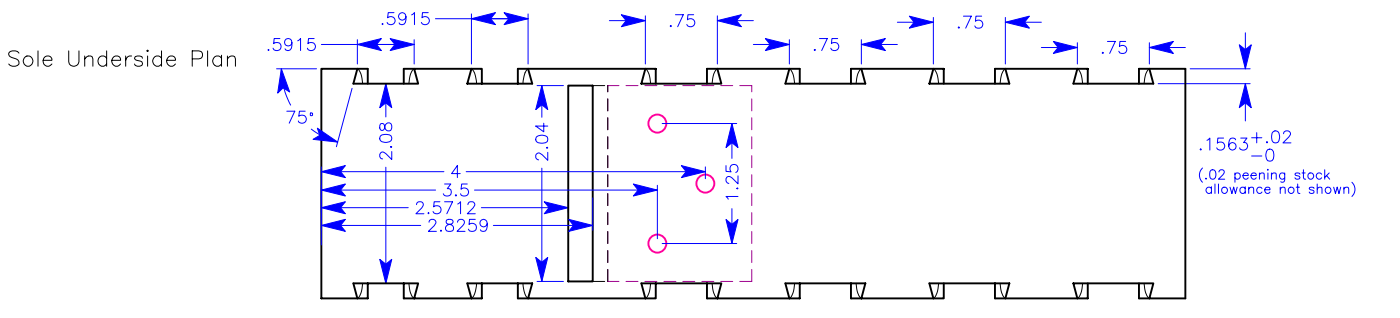
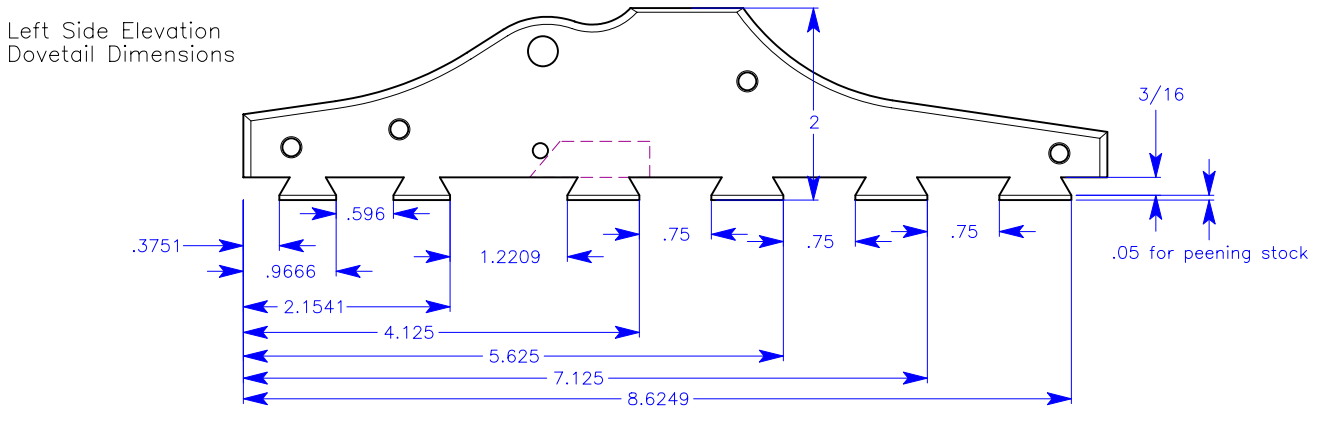
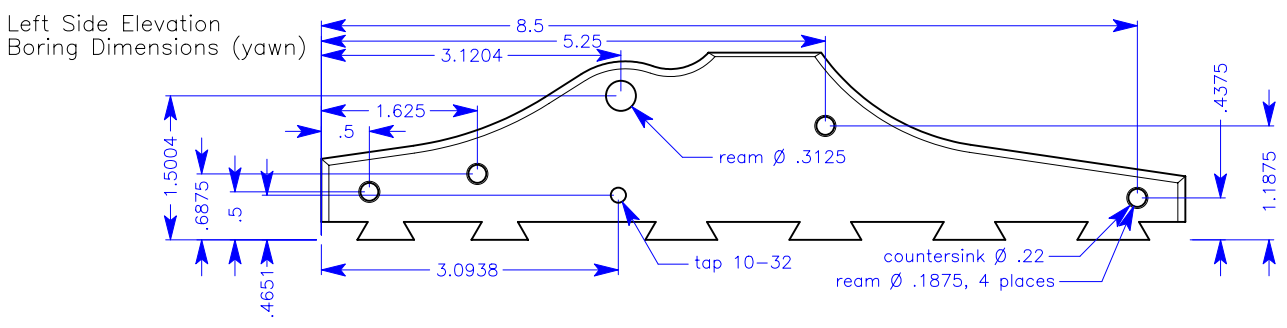


Material:
Sides 5/32" steel C1018
Sole 3/16" steel C1018



Created By	Date	Project Title	
Jim Yehle	12/19/2002	Infill Plane	
Units inch	Scale 1" = 2"		
Tolerance dovetails	.002	Drawing jy-a13-side	Rev A
holes	.0001		
profile	.005		