

# TOSHIBA

## Satellite® P25 Series

### Feature Model(s):

Satellite P25-S670

P4 3200/17.0" Wide XGA/512MB/80GB/DVD-Super Multi/Mdm/LAN/ Wi-Fi/WinXP Media Center Edition

### Part Number

PSP26U-00DJ8R

## Product Highlights

### Performance

- Intel® Pentium® 4 processor with HT Technology
- 512MB of Main Memory
- 80GB\* hard disk drive

### Great Features

- 17.0" Wide XGA active matrix display
- **NVIDIA® GeForce™ FX Go5700**, 128MB DDR video memory
- DVD-Super Multi drive
- Internal TV Tuner

### Get On-Line

- Integrated V.92/56K modem
- Integrated 10/100 Ethernet LAN
- Integrated **802.11a/g** Wireless LAN

## System Characteristics

### CPU (See CPU Performance Disclaimer)\*\*

- Intel® Pentium® 4 processor at 3.20GHz\*\*

### L2 Cache

- 512KB Level 2 Cache integrated on die
- 800MHz Processor System Bus Clock Speed (PSB) / Hyper-Threading Technology support

### Memory

- 512MB DDR SDRAM (**Expandable to 2048MB**) (Both slots may be occupied)
- Expansion memory: 256/512/1024MB, 2.5V, SODIMM, PC2700 DDR SDRAM
- Data/Address Bus Width; 64-bit/32-bit
- Intel® 865PE + ICH5 Chipset

### Mass Storage/Optical Drive

- **Primary Hard Disk Drive:** 80GB\* hard disk drive, 5400rpm, Enhanced IDE (ATA-6) Interface, 9.5mm height, 0.2lbs., Service removable
- **Main Module Bay - DVD-Super Multi:** ATAPI Interface; Maximum speed (READ): CD-ROM (24x), CD-R (24x), CD-RW (12x), DVD-ROM (8x), DVD-R (4x), DVD-RW (4x), DVD+R (4x), DVD+RW (4x), DVD-RAM (2x); WRITE: CD-R (16x), CD-RW (4x), DVD-R (4x), DVD-RW (2x), DVD+R (2.4x), DVD+RW (2.4x), DVD-RAM (2x)  
*Compatibility:* CD-R (read/write), CD-RW (read/re-write), DVD-R (read/write), DVD-RW (read/write), DVD+R (read/write), DVD+RW (read/write), DVD-RAM (read/write), CD-ROM, DVD-ROM; 12.7mm height, user removable  
*Optional accessories:* DVD-ROM, DVD/CD-RW, DVD-R/RW, DVD+-R/RW, DVD+R/RW, DVD Multi, DVD Super Multi, FDD, 2<sup>nd</sup> HDD)
- **2<sup>nd</sup> Module Bay: TV-Tuner;** (Optional Accessories: Main Battery, DVD-ROM, DVD/CDRW, DVD Multi, DVD-R/RW, DVD+-R/RW, DVD Super Multi, weight saver, 2<sup>nd</sup> HDD)
- Software Decoder: InterVideo® (WinDVD™ 4)

### Graphics/Video

- **17.0"** Wide XGA TFT active-matrix display\*\*\*\*; internal display supports up to 16M colors at 1440 x 900
- **NVIDIA® GeForce™ FX Go5700** graphics controller; 128MB DDR external video memory
- Direct 3D support, OpenGL support, Direct Video Accelerator
- External Color Support/Refresh Rate: (Depending on CRT)  
800 x 600; 60/70/72/75/85/100/120Hz  
1024 x 768; 60/70/72/75/85/100/120Hz  
1280 x 800; 57/60/70/72/75/85/100/120 Hz  
1280 x 1024; 60/70/72/75/85/100/120Hz  
1440 x 900; 60/70/72/75/85/100Hz  
1600 x 1200; 60/70/72/75/85/100Hz  
1680 x 1050; 60/70/72/75/85/100Hz  
1920 x 1200; 60Hz  
1920 x 1440; 60Hz

2048 x 1536;

60Hz

### Input Devices

- **Keyboard:** Full sized 85 keys with 12 function keys, 2.7mm key stroke, 6mm height; Dedicated Windows® & Application keys support; HotKey function; **TouchPad** pointing device (scroll function by TouchPad driver)
- **CD Control Function:** Play/Pause, Stop/Eject, Previous, Skip/Next, Mode Control switch (CD/DVD/Digital Audio)
- **Remote Control for Media Center Edition**
- Toshiba Console button & Instant Access Internet button
- One Touch TV-out button

### Expandability

- 2 memory slots (Both slots may be occupied)
- 2 PC Card slot supports 2 Type II and 1 Type III

### Communications

• Integrated V.92/56K modem; Data and fax support  
Due to FCC limitations, speeds of 53kbps are the maximum permissible transmission rates during Download. Actual data transmission speeds will vary depending on line conditions.

- Integrated 10/100 Ethernet LAN
- Integrated **802.11a/g** Wireless LAN

### Ports

- RGB (monitor) port
- 4 Universal Serial Bus ports (**USB 2.0**)
- 1 Infrared port
- 2 TV-Out ports (S-Video; Component-out (480i, 480p, 720p and 1080i))
- RJ-45 LAN port
- RJ-11 modem port
- I.Link (IEEE 1394) port
- Secure Digital® (SD) card slot
- S/P DIF port (shared with headphone)

### Physical Description

- Dimensions (LxWxH): 16.4" x 11.5" x 1.8"
- Weight: 9.9lbs
- LED Indicators: Power, HDD, 2<sup>nd</sup> HDD (common with Module Bay device), DVD/CDRW, DC-IN, Caps Lock, Arrow, Numeric, Main Battery Charging Status, System Sleep/Suspend Status, SD Card, Wireless Communication (right side)

### Sound

- Realtek ALC202 Codec Chip, Software Sound
- 16-bit stereo, Windows Sound System Ver. 2.0; SoundBlaster® Pro compatible (in DOS box only)
- **Built-in Harman/kardon Stereo Speakers**
- Direct 3D Sound (supported by sound driver); Hardware acceleration for DirectSound and DirectMusic; Full Duplex and MIDI (play back) support
- Sound Volume (by Dial)
- **Ports:** External Microphone port, headphone port (stereo), Line-in port, S/P DIF

### Power Supply

- **AC Adapter:** 120W AC Adapter, 100-240V / 50-60Hz frequency (Universal) input voltage, 19V x 6.3A Output.  
**Dimensions (LxWxH):** 5.9" x 2.5" x 1.4"  
**Weight:** 1.38lbs
- **Battery Pack:** 12-cell, rechargeable, removable Lithium Ion (Graphite) battery; 14.8V x 6450mAh  
**Dimension (LxWxH):** 5.9" x 5.1" x 0.9"  
**Weight:** 1.41lbs
- Battery Saver (in WindowsXP): Stand by, HDD Auto Off, Display Auto Off, Hibernation
- **Battery Life:** 1.5H \*\*\*  
Recharge Time (Off/On): Main Battery— Up to 4Hrs/ Up to 12Hrs  
Battery life may vary depending on applications, power management settings and features utilized. Recharge time varies depending on usage. Battery may not charge while computer is consuming full power. After a period of time, the battery will lose

# TOSHIBA

its ability to perform at maximum capacity and will need to be replaced. This is normal for all batteries. For additional and updated compatible accessories for your notebook, please go to [accessoryfinder.toshiba.com](http://accessoryfinder.toshiba.com)

## Security

- Slot for computer lock, HDD and memory (2 screws), Built-in Modem (2 screws), Wireless LAN module (2 screws), Main Module Bay and 2<sup>nd</sup> Module Bay (both by sliding lock and sliding latch), User Power-on password, Setup Security, Keyboard Lock (by HotKey), Screen Blank (by HotKey), Screen Saver (by software)

## Bios

- ACPI, PnP, VESA, DPMS, DDC, SM BIOS, PCI BIOS support

## Operating System

- **Microsoft® Windows XP Media Center Edition (MCE)** pre-installed

(This Toshiba computer uses Microsoft's Windows XP Media Center Edition (MCE) 2004 operating system and incorporates copy protection features designed to prevent unauthorized copying of copyrighted audio-visual content. Depending on certain copy protection information that is set by content owners and/or broadcasters, some content may not be available for copying or viewing using MCE on this computer.)

- Microsoft® Windows 2000 component drivers on the web

## Additional Software

- **Microsoft® Works**
- **Microsoft® Office OneNote™**
- ArcSoft ShowBiz® Ver 1.3
- Drag'n Drop CD+DVD Software
- InterVideo® Win-DVD Creator 2
- Sonic PrimeTime™
- Toshiba Notebook Maximizer
- Intuit® Quicken® New User Edition 2004
- Norton® AntiVirus™ 2003 – w/3 Month Subscription
- AOL® (3 –Month offer)

AOL OFFER DETAILS: Availability may be limited, especially during peak times. TO AVOID BEING CHARGED A MONTHLY MEMBERSHIP FEE, SIMPLY CANCEL BEFORE THE THREE-MONTH PROMOTIONAL PERIOD ENDS. Premium services carry surcharges and communication surcharges may apply, including AK, even during promotional period. Members may incur telephone charges on their phone bill, depending on their location and calling plan, even during promotional period. Available to new AOL members in the United States, age 18 or older; a major credit card or checking account is required.

- Adobe® Acrobat Reader
- AT&T® Worldnet® Service – 1 Month Free

Telephone access and other charges and other terms and conditions may apply. Offer available to new customers only. Offer expires 4/30/04.

- Microsoft Internet Explorer
- Toshiba Speech System
- QuickTime™ Player
- RealOne™ Player 8 Basic
- Toshiba Custom Utilities
- Toshiba **ConfigFree™** Software
- Satellite Series Online Documentation
- **Toshiba Great Software Offer:** Receive your choice of two software titles. The software selection includes titles from the follow categories; productivity, education/reference, creativity and entertainment

## Warranty

- 1 year parts, labor and battery

## SelectServ® Warranty Programs

SWP-PEQQ3V	Warranty Extension to 3 Years
SWP-PEGQ3V	3 Year SystemGuard
SWP-PEQX3V	3 Year Depot Express
SWP-PEGX3V	3 Year SystemGuard + Depot Express
SWP-PEQN3V	3 Year Business On-Site Repair; Next Day Business Day Response
SWP-PEGN3V	3 Year SystemGuard + Business On Site Repair, Next Business Day Response

## Environmental Specifications

- **Temperature:** Operating: 5° to 35°C (41° to 95°F); Non-operating: -20° to 65°C (-4° to 149°F)
- **Thermal gradient:** Operating: 15°C per hour maximum; Non-operating: 20°C per hour maximum

- **Relative Humidity:** Operating: 20% to 80% non-condensing; Non-operating: 10% to 95% non-condensing
- **Altitude (relative to sea level):** Operating: -60 to 3000 meters; Non-operating: -60 to 10,000 meters
- **Shock:** Operating: 10G; Non-operating: 60G
- **Vibration:** Operating: 0.5G; Non-operating: 1.0G

## Product/Part Numbers

Satellite P25-S670

PSP26U-00DJ8R

## Accessories

### Selected Accessories

PA3290U-2ACA	Global AC Adapter (120W)
PA3291U-1BRS	Primary Battery Pack (12 cell)
PA3109U-1FDD	USB Floppy Disk Drive
PA3133U-1H40	2nd HDD 40GB
PA3204U-1H60	2nd HDD 60GB
PA3230U-1H80	2nd HDD 80GB
PA3292U-1ETC	Modular Bay HDD Adapter
PA3271U-1BTM	Bluetooth SD Card II
PA1337U-1NMS	Toshiba USB Optical Scroller Mouse
PA1336U-1NKB	Toshiba USB Keyboard
PAUM01U	Targus Ultra Mini Optical Mouse with Retractable Cord

## SD (Secure Digital) Memory

SD-M6403B3	64MB SD Card
SD-M1283B3	128MB SD Card
SD-M2564B3	256MB SD Card
SD-M5124B3	512MB SD Card

## Kingston Memory

KTT3311/256	Kingston 256MB Memory
KTT3311/512	Kingston 512MB Memory
KTT3311/1G	Kingston 1GB Memory Module

## Cases-Security

PA1323U-1NCS	Toshiba Roller/BackPack
CPT400	Targus Platinum Deluxe Notebook Case
NWDEFCL	PORT-NoteWorthy DEFCON Cable Lock

## CMS Storage Devices

ABSPLUS-80.0	CMS ABSplus 80GB PCMCIA Automatic Backup System
UABS2-80.0	CMS ABSplus 80GB USB 2.0 Automatic Backup System

\* Go to [accessoryfinder.toshiba.com](http://accessoryfinder.toshiba.com) for additional, available accessories

\*GB = 1 Billion Bytes

## \*\* Central Processing Unit ("CPU") Performance Disclaimer:

CPU performance in your computer product may vary from specifications under the following conditions:

- use of certain external peripheral products
- use of battery power instead of AC power
- use of certain multimedia games or videos with special effects
- use of standard telephone lines or low speed network connections
- use of complex modeling software, such as high end computer aided design applications
- use of computer in areas with low air pressure (high altitude >1,000 meters or >3,280 feet above sea level)
- use of computer at temperatures outside the range of 5°C to 35°C (41°F to 95°F) or >25°C (77°F) at high altitude (all temperature references are approximate).

CPU performance may also vary from specifications due to design configuration.

Under some conditions, your computer product may automatically shut-down. This is a normal protective feature designed to reduce the risk of lost data or damage to the product when used outside recommended conditions. To avoid risk of lost data, always make back-up copies of data by periodically storing it on an external storage medium. For optimum performance, use your computer product only under recommended conditions. Read additional restrictions under

# TOSHIBA

"Environmental Conditions" in your product Resource Guide. Contact Toshiba Technical Service and Support for more information.

**\*\*\* TFT Display Disclaimer:** Small bright dots may appear on your TFT display when you turn on your PC. Your display contains an extremely large number of thin-filmtransistors (TFT) and is manufactured using high-precision technology. Any small bright dots that may appear on your display are an intrinsic characteristic of the TFT manufacturing technology

### Return Policy

TAIS does not accept the return of component parts, or bundled software, which have been removed from the PC system. Pro-rata refunds on

individual PC components or bundled software, including the operating system, will not be granted. If you wish to return a complete PC system, contact the TAIS dealer where you purchased the product, and comply with the dealer's standard return policies and procedures.

### Subject to Change

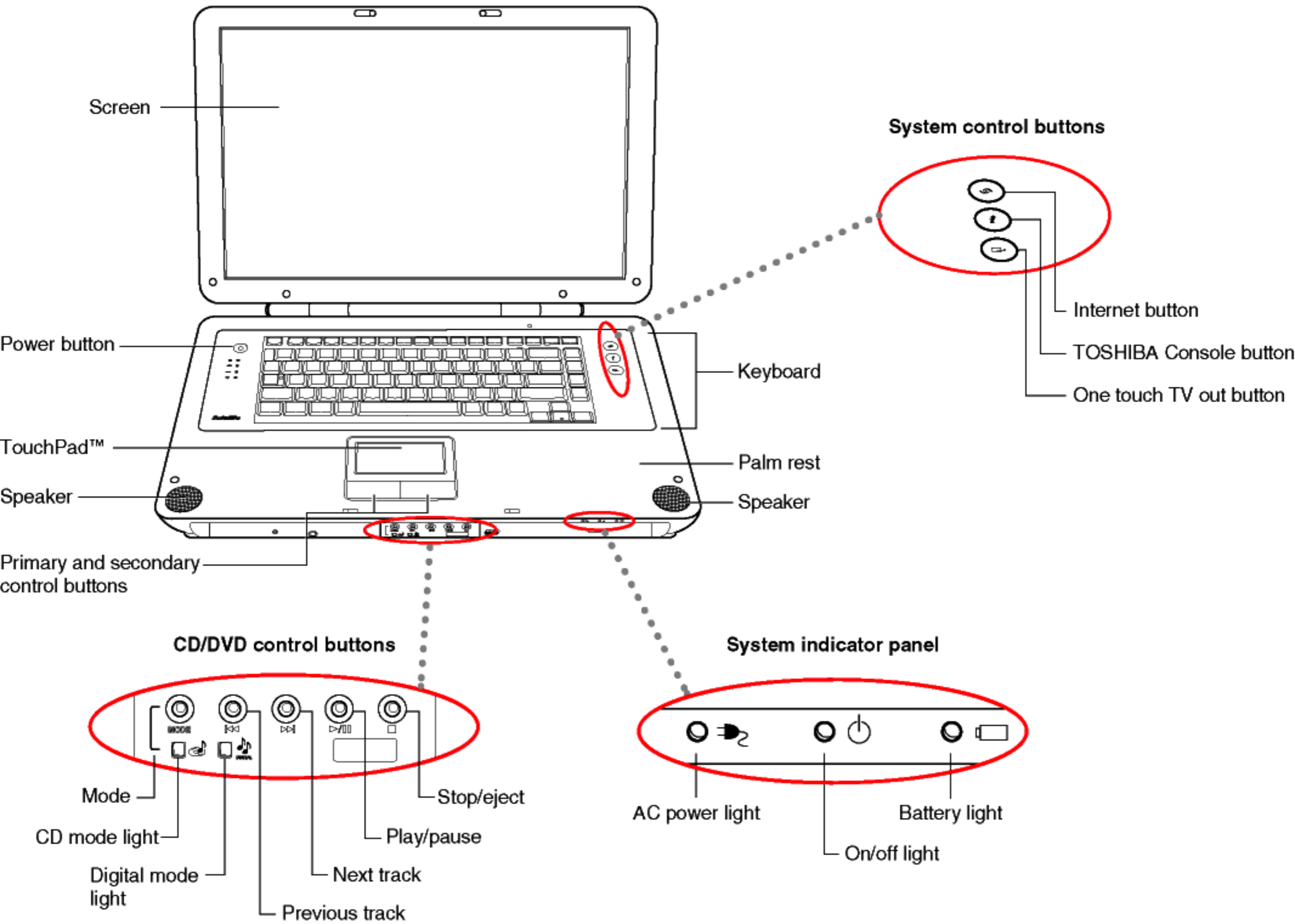
While Toshiba has made very effort at the time of publication to ensure the accuracy of the information provided herein, product specifications, configurations, prices, system/component/options availability are all subject to change without notice. For the most up-to-date product information about your computer, or to stay current with the various computer software or hardware options, visit Toshiba's Web site at [pcsupport.toshiba.com](http://pcsupport.toshiba.com)

## **\*\*\* Business Winstone® 2002 BatteryMark™ Version 1.0**

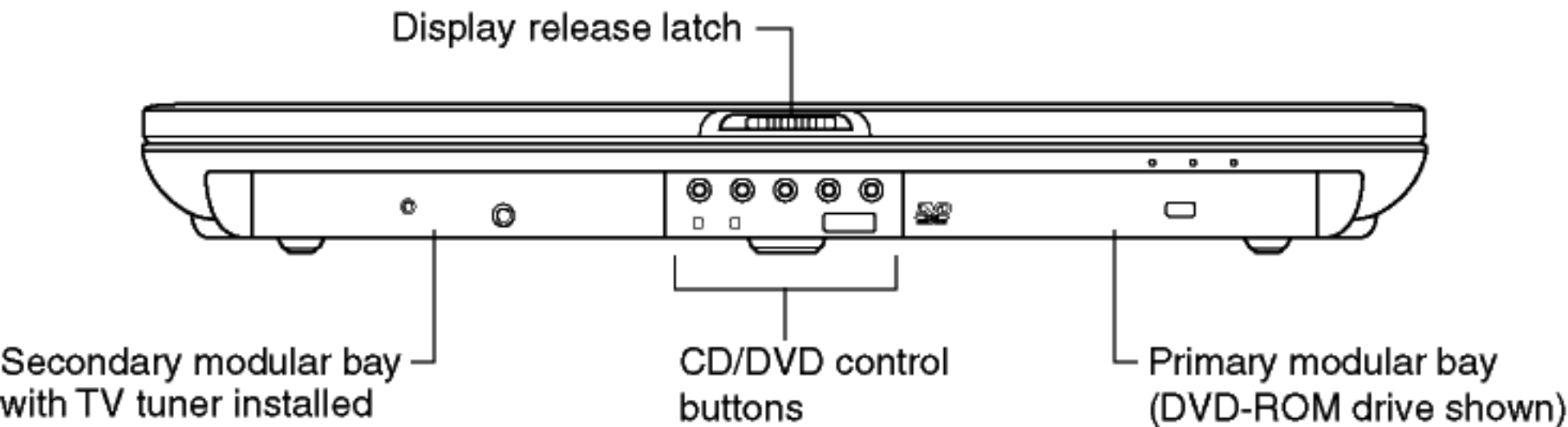
These models achieved the battery life times shown using Ziff Davis Media Inc.'s Business Winstone® 2002 BatteryMark™ Version 1.0. These tests were performed without independent verification by the VeriTest testing division of Lionbridge Technologies, Inc. ("VeriTest"). Neither Ziff Davis Media Inc. nor VeriTest makes any representations or warranties as to the results of the tests. Winstone® is a registered trademark and BatteryMark™ is a trademark of Ziff Davis Publishing Holdings Inc. in the U.S. and other countries. Copyright 2002 Ziff Davis Media Inc. All Rights Reserved. All products used in the tests were shipping versions available to the general public. The battery life results were achieved running the Business Winstone® 2002 BatteryMark™ Version 1.0 on the following system parameters. System parameters were set according to Ziff Davis Media Inc.'s recommendations.

	Battery Life	Catalog Spec (1st)	<b>1.50H</b>
		(1st+2nd)	-
		Number of Conditioning Phase	<b>1</b>
		Life Test Run	<b>2</b>
A	CPU Name		<b>Intel® Pentium®4 Processor</b>
	Processor info	speed	<b>3.2GHz</b>
		number of processors	<b>1</b>
	amount of RAM		<b>2048MB</b>
Amount of secondary RAM cache		<b>512KB</b>	
B	Battery	type(1st)	<b>Li-Ion</b>
			<b>14.8Vx6450mAh(12cell)</b>
		model number(1st)	<b>PA3291U-1BAS/1BRS</b>
		type(2nd)	-
		model number(2nd)	-
	number of batteries	<b>1st=1 , 2nd=0</b>	
C	Graphics		<b>nVIDIA</b>
	amount and type of RAM		<b>64MB</b>
			<b>DDR</b>
	graphics driver name and version		<b>nVIDIA Display Driver</b>
graphics resolution and color depth, refresh rate		<b>17"Wide 1440x900/32bit/60Hz</b>	
D	hard disk capacity		<b>60GB (5400rpm)</b>
	hard disk file system & transfer mode+C15		<b>Enhanced IDE(ATA-5)</b>
	hard disk controller model		<b>Intel® 82801EBM</b>
	size of hardware cache if any		-
E	operating system version, service pack		<b>Windows XP Professional Savice Pack 1</b>
	other special conditions		<b>N/A</b>

# Front with display open

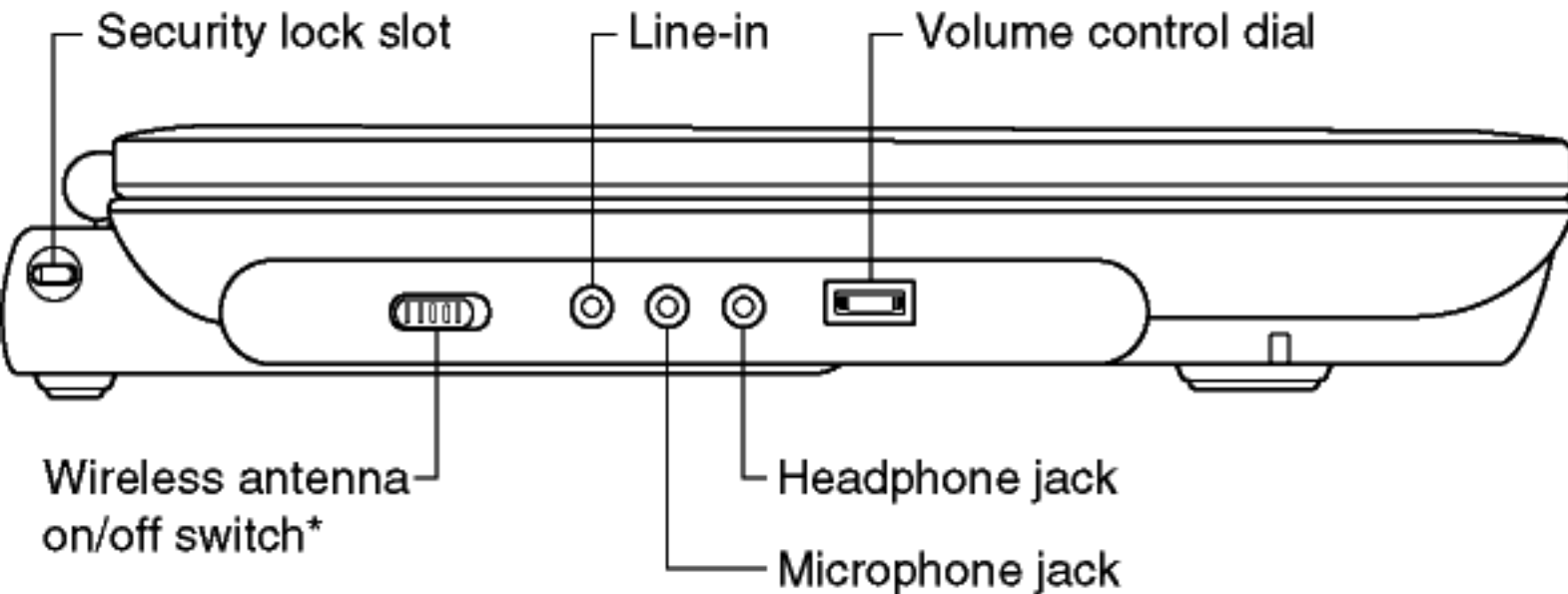


# Front with display closed



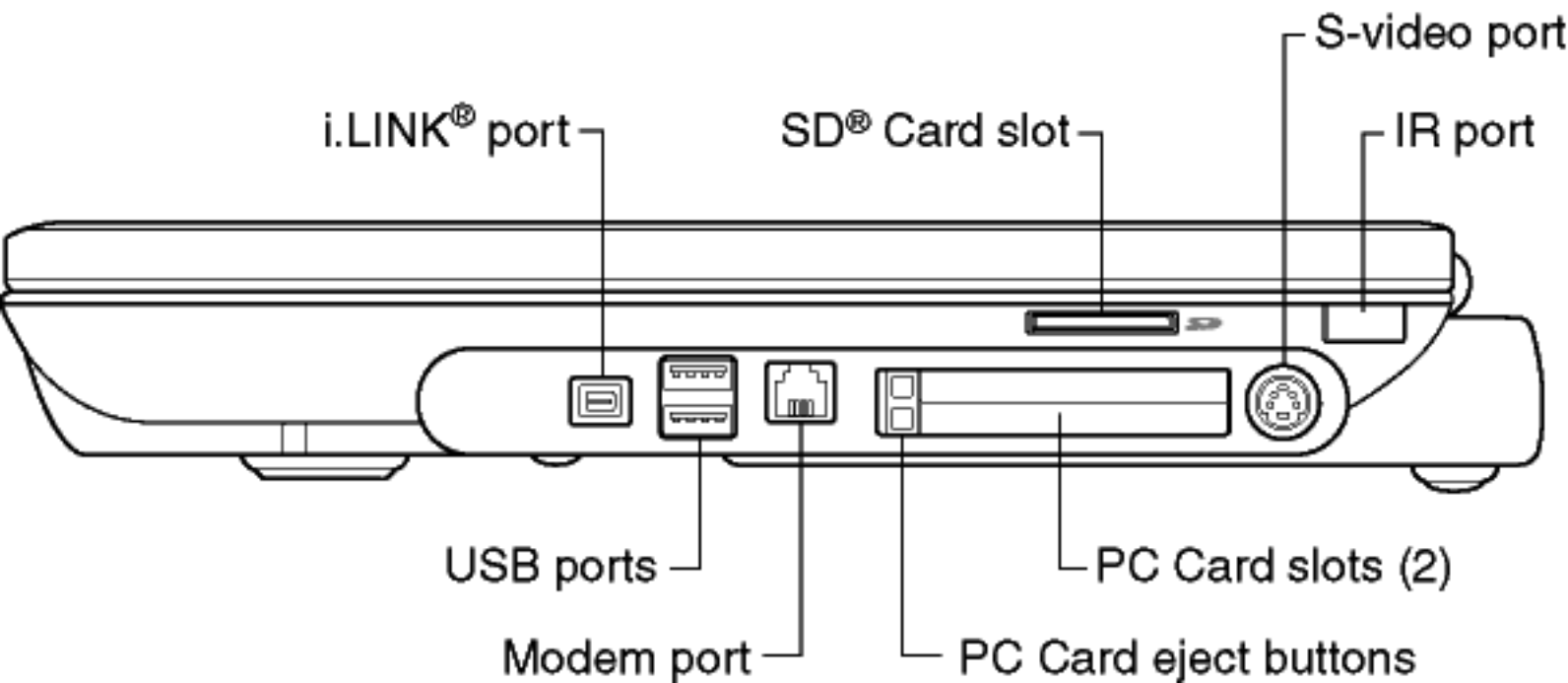
\*Functional only with optional Toshiba remote control.

# Left side

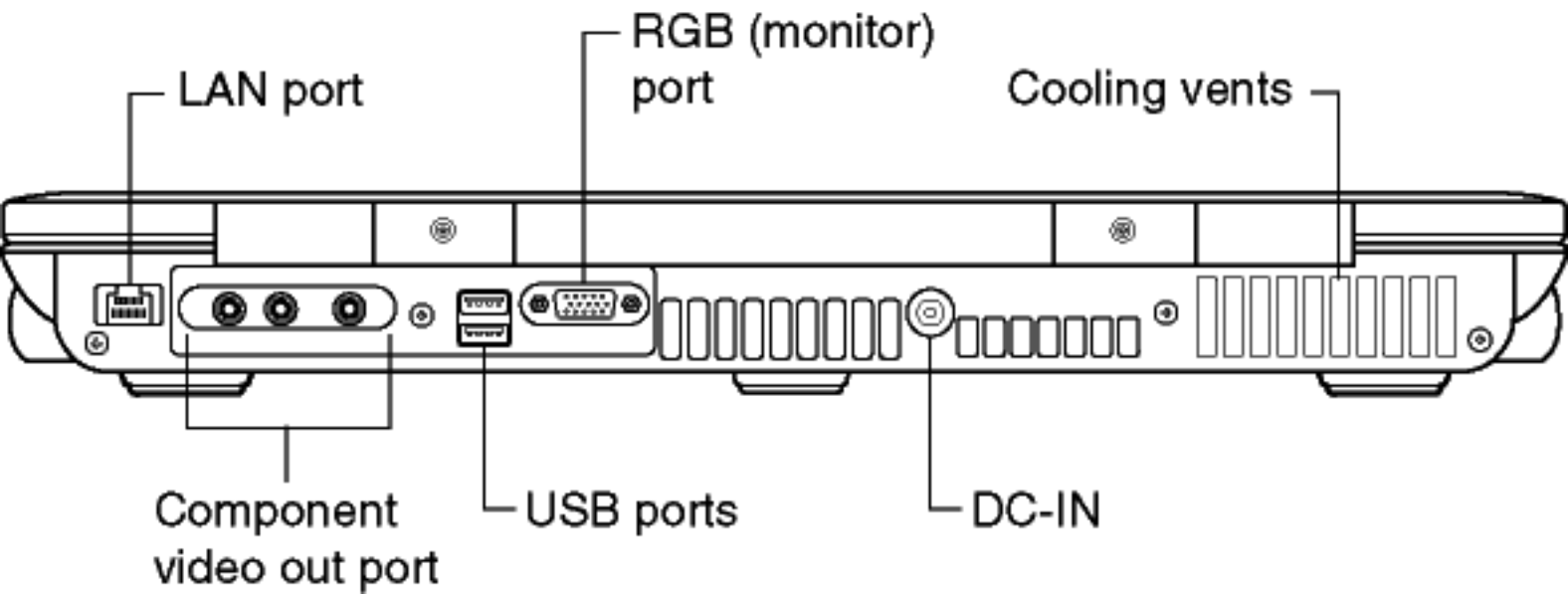


\*Functional only on systems with wireless module installed.

# Right side

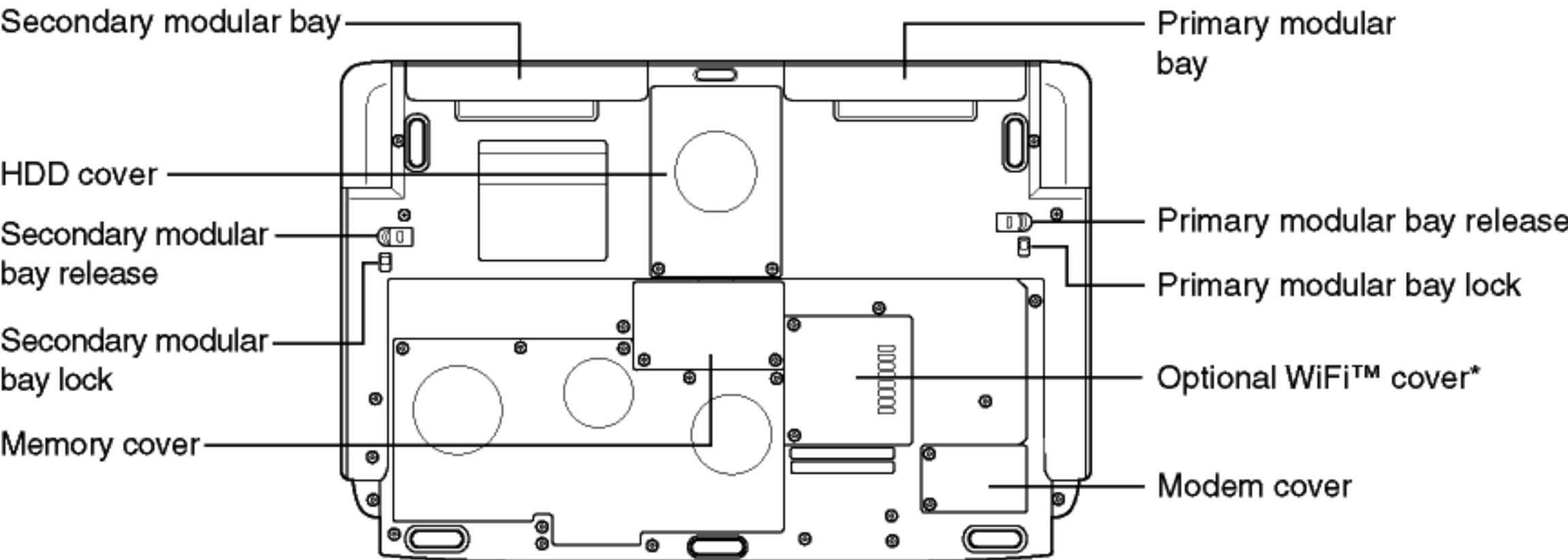


# Back





# Underside



\*Functional only on systems with wireless module installed.

# TOSHIBA

## Satellite® P25 Series Notebook

### Feature Model(s):

#### Satellite P25-S520

P4 3000, 17.0" Wide XGA, 512MB, 80GB, DVD+-R/+RW, Mdm, LAN, Wi-Fi, WinXP Home

#### Satellite P25-S5201

P4 3000, 17.0" Wide XGA, 512MB, 80GB, DVD+-R/+RW, Mdm, LAN, Wi-Fi, WinXP Pro

### Part Numbers

PSP20U-3F68ZV

PSP20U-3F68Z6

## Product Highlights

### Performance

- Intel® Pentium® 4 processor with HT Technology
- 512MB of Main Memory
- 80GB\* hard disk drive

### Great Features

- 17.0" Wide XGA active matrix display
- **NVIDIA® GeForce™ FX Go5200**, 64MB DDR video memory
- DVD+-R/+RW drive

### Get On-Line

- Integrated V.92/56K modem
- Integrated 10/100 Ethernet LAN
- Integrated **802.11g** Wireless LAN

## System Characteristics

### CPU (See CPU Performance Disclaimer)\*\*

- Intel® Pentium® 4 processor at 3.00GHz \*\*

### L2 Cache

- 512KB Level 2 Cache integrated on die
- 800MHz Processor System Bus Clock Speed (PSB) / Hyper-Threading Technology support

### Memory

- 512MB DDR SDRAM (**Expandable to 2048MB**) (Both slots may be occupied)
- Expansion memory: 128/256/512/1024MB, 2.5V, SODIMM, PC2100 DDR SDRAM
- Data/Address Bus Width; 64-bit/32-bit
- Intel® 865PE + ICH5 Chipset

### Mass Storage/Optical Drive

- **Primary Hard Disk Drive:** 80GB\* hard disk drive, 4200rpm, Enhanced IDE (ATA-6) Interface, 9.5mm height, 0.2lbs., Service removable
- **Main Module Bay- DVD+-R/+RW:** ATAPI Interface; Maximum speed (READ): DVD-R (4x), DVD-RW (4x), DVD+R (4x), DVD+RW (4x), CD-R (24x), CD-RW (20x), CD-ROM (24x), DVD-ROM (8x); (WRITE): CD-R (16x), CD-RW (4x), DVD-R (2x), DVD-RW (2x), DVD+R (2.4x), DVD+RW (2.4x)  
*Compatibility:* CD-R (read/write), CD-RW (read/re-write), CD-ROM, DVD-ROM, DVD-R (read/write), DVD-RW (read/re-write), DVD+R (read/write), DVD+RW (read/re-write)  
*Optional accessories:* DVD-ROM, DVD/CD-RW, DVD-R/RW, DVD Multi, FDD, 2<sup>nd</sup> HDD);
- **2<sup>nd</sup> Module Bay:** Main Battery; (Optional Accessories: DVD-ROM, DVD/CDRW, DVD Multi, DVD-R/RW, weight saver)
- Software Decoder: InterVideo® (WinDVD™ 4)

### Graphics/Video

- **17.0"** Wide XGA TFT active-matrix display\*\*\*\*; internal display supports up to 16M colors at 1440 x 900
- **NVIDIA® GeForce™ FX Go5200** graphics controller; 64MB DDR external video memory
- Direct X 9.0 support, OpenGL support
- External Color Support/Refresh Rate: (Depending on CRT)  
800 x 600; 60/70/72/75/85/100/120Hz  
1024 x 768; 60/70/72/75/85/100/120Hz  
1280 x 800; 57/60/70/72/75/85/100/120Hz  
1280 x 1024; 60/70/72/75/85/100/120Hz  
1440 x 900; 60/70/72/75/85/100Hz  
1600 x 1200; 60/70/72/75/85/100Hz  
1680 x 1050; 60/70/72/75/85/100Hz  
1920 x 1200; 60Hz  
1920 x 1440; 60Hz  
2048 x 1536; 60Hz

### Input Devices

- **Keyboard:** Full sized 85 keys with 12 function keys, 2.7mm key

stroke, 6mm height; Dedicated Windows® & Application keys support; HotKey function; **TouchPad** pointing device.

- **CD Control Function:** Play/Pause, Stop/Eject, Previous, Skip/Next, Mode Control switch (CD/DVD/Digital Audio)
- Toshiba Console button & Instant Access Internet button
- One Touch TV-out button

### Expandability

- 2 memory slots (Both slots may be occupied)
- 2 PC Card slot supports 2 Type II and 1 Type III

### Communications

- Integrated V.92/56K modem; Data and fax support
- Due to FCC limitations, speeds of 53kbps are the maximum permissible transmission rates during Download. Actual data transmission speeds will vary depending on line conditions.
- Integrated 10/100 Ethernet LAN
  - Integrated 802.11g Wireless LAN

### Ports

- RGB (monitor) port
- Parallel port
- 4 Universal Serial Bus ports (**USB 2.0**)
- 2 Infrared port (1 Consumer IR port; 1 FIR port)
- TV-Out (S-Video)
- RJ-45 LAN port
- RJ-11 modem port
- I.Link (IEEE 1394) port
- Secure Digital® (SD) card slot

### Physical Description

- Dimensions (LxWxH): 16.4" x 11.5" x 1.8"
  - Weight: 9.9lbs
- LED Indicators: Power, HDD, 2<sup>nd</sup> HDD (common with Module Bay device), DVD/CDRW, DC-IN, Caps Lock, Arrow, Numeric, Main Battery Charging Status, System Sleep/Suspend Status, SD Card, Wireless Communication (right side)

### Sound

- Realtek ALC202 Codec Chip, Software Sound
- 16-bit stereo, Windows Sound System Ver. 2.0; SoundBlaster® Pro compatible (in DOS box only)
- **Built-in harman/kardon Stereo Speakers**
- Direct 3D Sound (supported by sound driver); Hardware acceleration for DirectSound and DirectMusic; Full Duplex and MIDI (play back) support
- Sound Volume (by Dial)
- **Ports:** External Microphone port, headphone port (stereo), Line-in port

### Power Supply

- **AC Adapter:** 120W AC Adapter, 100-240V / 50-60Hz frequency (Universal) input voltage, 19V x 6.3A Output.  
**Dimensions (LxWxH):** 5.9" x 2.5" x 1.4"  
**Weight:** 1.38lbs
- **Battery Pack:** 12-cell, rechargeable, removable Lithium Ion (Graphite) battery; 14.8V x 6450mAh  
**Dimension (LxWxH):** 5.9" x 5.1" x 0.9"  
**Weight:** 1.41lbs
- Battery Saver (in WindowsXP): Stand by, HDD Auto Off, Display Auto Off, Hibernation
- **Battery Life:** 2.0H \*\*\*

Recharge Time (Off/On): Main Battery– Up to 4Hrs/ Up to 12Hrs  
Battery life may vary depending on applications, power management settings and features utilized. Recharge time varies depending on usage. Battery may not charge while computer is consuming full power. After a period of time, the battery will lose its ability to perform at maximum capacity and will need to be replaced. This is normal for all batteries. To purchase a new battery pack, see your accessories information that shipped with your computer or visit the Toshiba website at [www.toshiba.com](http://www.toshiba.com)

# TOSHIBA

## Security

- Slot for computer lock, HDD and memory (2 screws), Main Battery Pack (sliding lock and sliding latch), Built-in Modem (2 screws), Wireless LAN module (2 screws), Main Module Bay and 2<sup>nd</sup> Module Bay (both by sliding lock and sliding latch), User Power-on password, Setup Security, Keyboard Lock (by HotKey), Screen Blank (by Hotkey), Screen Saver (by software)

## Bios

- ACPI, PnP, VESA, DPMS, DDC, SM BIOS, PCI BIOS support

## Operating System

- **Microsoft® Windows XP Home** pre-installed (**P25-S520**)
- **Microsoft® Windows XP Pro** pre-installed (**P25-S5201**)

## Additional Software

- **Microsoft® Works**
- **Microsoft® Office OneNote™**
- ArcSoft ShowBiz® Ver 1.3
- Drag'n Drop CD+DVD Software
- InterVideo® WinDVD Creator 2 Platinum
- Toshiba Notebook Maximizer
- Intuit® Quicken® New User Edition 2004
- Norton® AntiVirus™ 2003 – w/3 Month Subscription
- AOL® (3 –Month offer)

AOL OFFER DETAILS: Availability may be limited, especially during peak times. TO AVOID BEING CHARGED A MONTHLY MEMBERSHIP FEE, SIMPLY CANCEL BEFORE THE THREE-MONTH PROMOTIONAL PERIOD ENDS. Premium services carry surcharges and communication surcharges may apply, including AK, even during promotional period. Members may incur telephone charges on their phone bill, depending on their location and calling plan, even during promotional period. Available to new AOL members in the United States, age 18 or older; a major credit card or checking account is required.

- Adobe® Acrobat Reader
- AT&T® Worldnet® Service – 1 Month Free

Telephone access and other charges and other terms and conditions may apply. Offer available to new customers only. Offer expires 4/30/04.

- Microsoft Internet Explorer
- Toshiba Speech System
- QuickTime™ Player
- RealOne™ Player 8 Basic
- Toshiba Custom Utilities
- Toshiba [ConfigFree™](#) Software
- Satellite Series Online Documentation
- [Toshiba Great Software Offer](#): Receive your choice of two software titles. The software selection includes titles from the following categories: productivity, education/reference, creativity and entertainment

software titles. The software selection includes titles from the following categories: productivity, education/reference, creativity and entertainment

## Warranty

- 1 year parts, labor and battery

## SelectServ® Warranty Programs

SWP-PEQQ3V	Warranty Extension to 3 Years
SWP-PEGQ3V	3 Year SystemGuard
SWP-PEQX3V	3 Year Depot Express
SWP-PEGX3V	3 Year SystemGuard + Depot Express
SWP-PEQN3V	3 Year Business On-Site Repair; Next Day Business Day Response
SWP-PEGN3V	3 Year SystemGuard + Business On Site Repair, Next Business Day Response

## Environmental Specifications

- **Temperature:** Operating: 5° to 35°C (41° to 95°F); Non-operating: -20° to 65°C (-4° to 149°F)
- **Thermal gradient:** Operating: 15°C per hour maximum; Non-operating: 20°C per hour maximum
- **Relative Humidity:** Operating: 20% to 80% non-condensing; Non-operating: 10% to 95% non-condensing
- **Altitude (relative to sea level):** Operating: -60 to 3000 meters; Non-operating: -60 to 10,000 meters
- **Shock:** Operating: 10G; Non-operating: 60G
- **Vibration:** Operating: 0.5G; Non-operating: 1.0G

## Product/Part Numbers

Satellite P25-S520	PSP20U-3F68ZV
Satellite P25-S5201	PSP20U-3F68Z6

## Accessories

### Selected Toshiba Accessories

PA3336U-1ACA	Global AC Adapter (120W)
PA3291U-1BRS	Primary Battery Pack (12 cell)
PA3109U-1FDD	USB Floppy Disk Drive
PA3133U-1H40	2nd HDD 40GB
PA3204U-1H60	2nd HDD 60GB
PA3230U-1H80	2nd HDD 80GB
PA3292U-1ETC	Modular Bay HDD Adapter
PA3271U-1BTM	Bluetooth SD Card II
PA3227U-1ETC	WRC-1000 Wireless Cable/DSL/Ethernet Router
NWDEFCL	PORT-NoteWorthy DEFCON Cable Lock
PA1337U-1NMS	Toshiba USB Optical Scroller Mouse
PA1336U-1NKB	Toshiba USB Keyboard

### Kingston Memory

KTT3311/256	Kingston 256MB Memory
KTT3311/512	Kingston 512MB Memory
KTT3311/1G	Kingston 1GB Memory Module

### SD (Secure Digital) Memory

SD-M3203B3	32MB SD Card
SD-M6403B3	64MB SD Card
SD-M1283B3	128MB SD Card
SD-M2564B3	256MB SD Card
SD-M5124B3	512MB SD Card

### Cases

PA1323U-1NCS	Toshiba Roller/BackPack
CPT400	Targus Platinum Deluxe Notebook Case

### CMS Storage Devices

ABSPLUS-80.0	CMS ABSplus 80GB PCMCIA Automatic Backup System
UABS2-80.0	CMS ABSplus 80GB USB 2.0 Automatic Backup System

\* Go to [www.accessories.toshiba.com](http://www.accessories.toshiba.com) for additional, available accessories

\* GB = 1 Billion Bytes

### \*\* Central Processing Unit ("CPU") Performance Disclaimer:

CPU performance in your computer product may vary from specifications under the following conditions:

- use of certain external peripheral products
- use of battery power instead of AC power
- use of certain multimedia games or videos with special effects
- use of standard telephone lines or low speed network connections
- use of complex modeling software, such as high end computer aided design applications
- use of computer in areas with low air pressure (high altitude >1,000 meters or >3,280 feet above sea level)
- use of computer at temperatures outside the range of 5°C to 35°C (41°F to 95°F) or >25°C (77°F) at high altitude (all temperature references are approximate).

CPU performance may also vary from specifications due to design configuration.

Under some conditions, your computer product may automatically shut-down. This is a normal protective feature designed to reduce the risk of lost data or damage to the product when used outside recommended conditions. To avoid risk of lost data, always make back-up copies of data by periodically storing it on an external storage medium. For optimum performance, use your computer product only under recommended conditions. Read additional restrictions under "Environmental Conditions" in your product Resource Guide. Contact Toshiba Technical Service and Support for more information.

\*\*\*\* **TFT Display Disclaimer:** Small bright dots may appear on your TFT display when you turn on your PC. Your display contains an extremely large number of thin-film transistors (TFT) and is manufactured using high-

# TOSHIBA

precision technology. Any small bright dots that may appear on your display are an intrinsic characteristic of the TFT manufacturing technology.

## Return Policy

TAIS does not accept the return of component parts, or bundled software, which have been removed from the PC system. Pro-rata refunds on individual PC components or bundled software, including the operating system, will not be granted. If you wish to return a complete PC system, contact the TAIS dealer where you purchased the product, and comply with the dealer's standard return policies and procedures.

## Subject to Change

While Toshiba has made very effort at the time of publication to ensure the accuracy of the information provided herein, product specifications, configurations, prices, system/component/options availability are all subject to change without notice. For the most up-to-date product information about your computer, or to stay current with the various computer software or hardware options, visit Toshiba's Web site at [pcsupport.toshiba.com](http://pcsupport.toshiba.com)

## \*\*\* Business Winstone® 2002 BatteryMark™ Version 1.0

These models achieved the battery life times shown using Ziff Davis Media Inc.'s Business Winstone® 2002 BatteryMark™ Version 1.0. These tests were performed without independent verification by the VeriTest testing division of Lionbridge Technologies, Inc. ("VeriTest"). Neither Ziff Davis Media Inc. nor VeriTest makes any representations or warranties as to the results of the tests. Winstone® is a registered trademark and BatteryMark™ is a trademark of Ziff Davis Publishing Holdings Inc. in the U.S. and other countries. Copyright 2002 Ziff Davis Media Inc. All Rights Reserved. All products used in the tests were shipping versions available to the general public. The battery life results were achieved running the Business Winstone® 2002 BatteryMark™ Version 1.0 on the following system parameters. System parameters were set according to Ziff Davis Media Inc.'s recommendations.

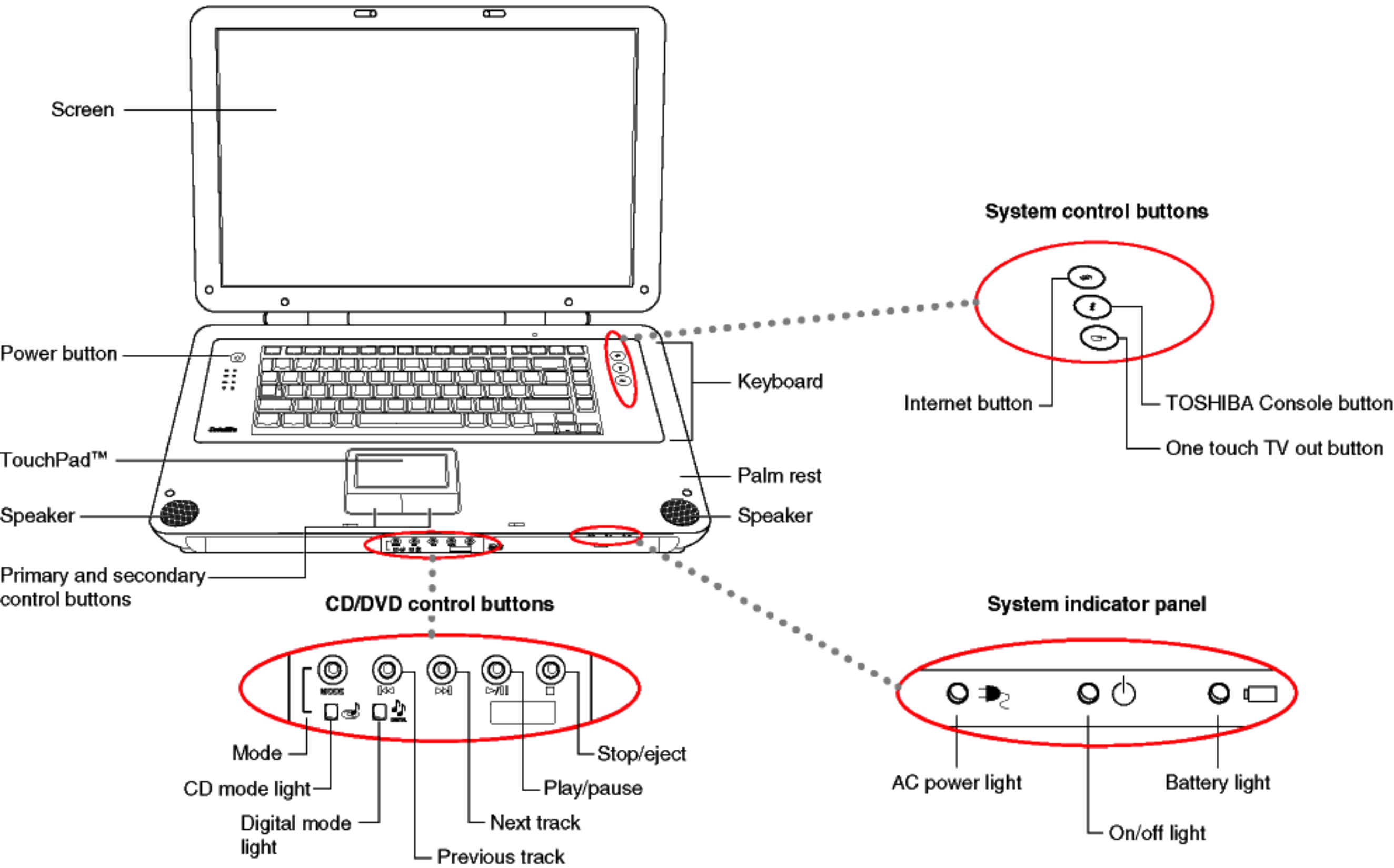
### "Business Winstone 2002 BatteryMark Version 1.0" Score

P42.8G(800MHz) w/HT,17"WXGA,256MB+256MB,60GB(4200rpm),DVD-R/-RW,1394/FIR,802.11b(Agere),  
No BT Antenna, NNVIDA(32MB), 12cell, harman/kardon, WinXP

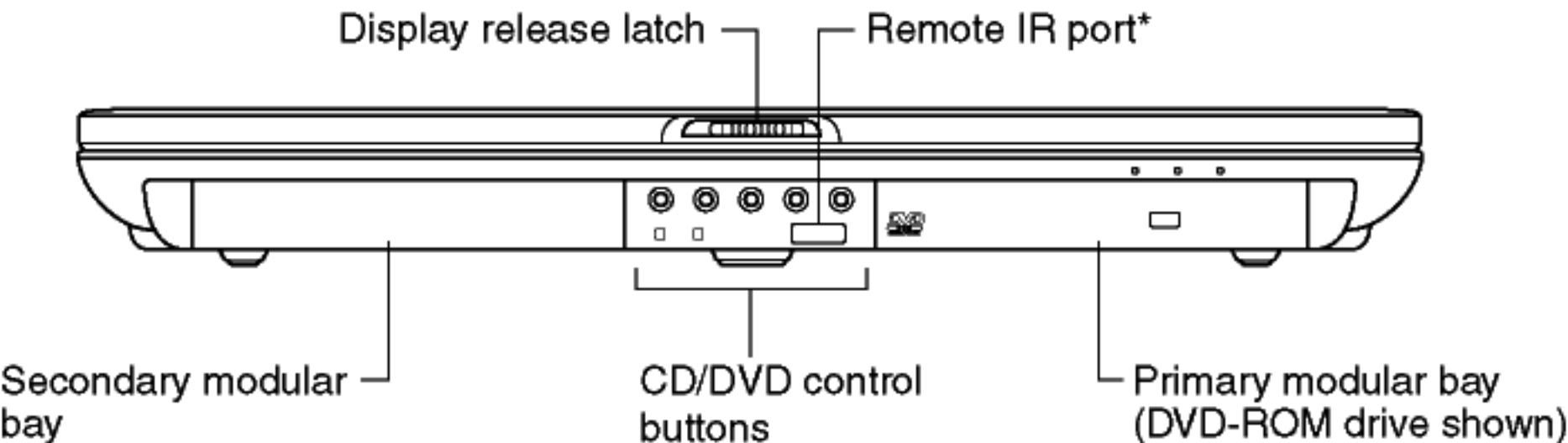
Battery Life	Catalog Spec (1st)	2.0H
	(1st+2nd)	-
	Number of Conditioning Phase	1
	Life Test Run	2

A	CPU Name		Intel® Pentium®4 Processer
	Processor info	speed	2.8GHz
		number of processors	1
	amount of RAM		512MB
	Amount of secondary RAM cache		512KB
B	Battery	type(1st)	Li-Ion
			14.8Vx6450mAh(12cell)
		model number(1st)	PA3291U-1BAS/1BRS
		type(2nd)	-
			-
		model number(2nd)	-
C	Graphics		NVIDIA GeForce FX Go5200
	amount and type of RAM		32MB
			DDR
	graphics driver name and version		nVIDIA Display Driver
	graphics resolution and color depth, refresh rate		17"Wide 1440x900/32bit/60Hz
D	hard disk capacity		60GB (4200rpm)
	hard disk file system & transfer mode+C15		Enhanced IDE(ATA-5)
	hard disk controller model		Intel® 82801EBM
	size of hardware cache if any		-
E	operating system version, service pack		Windows XP Professional Sevice Pack 1
	other special conditions		N/A

# Front with display open

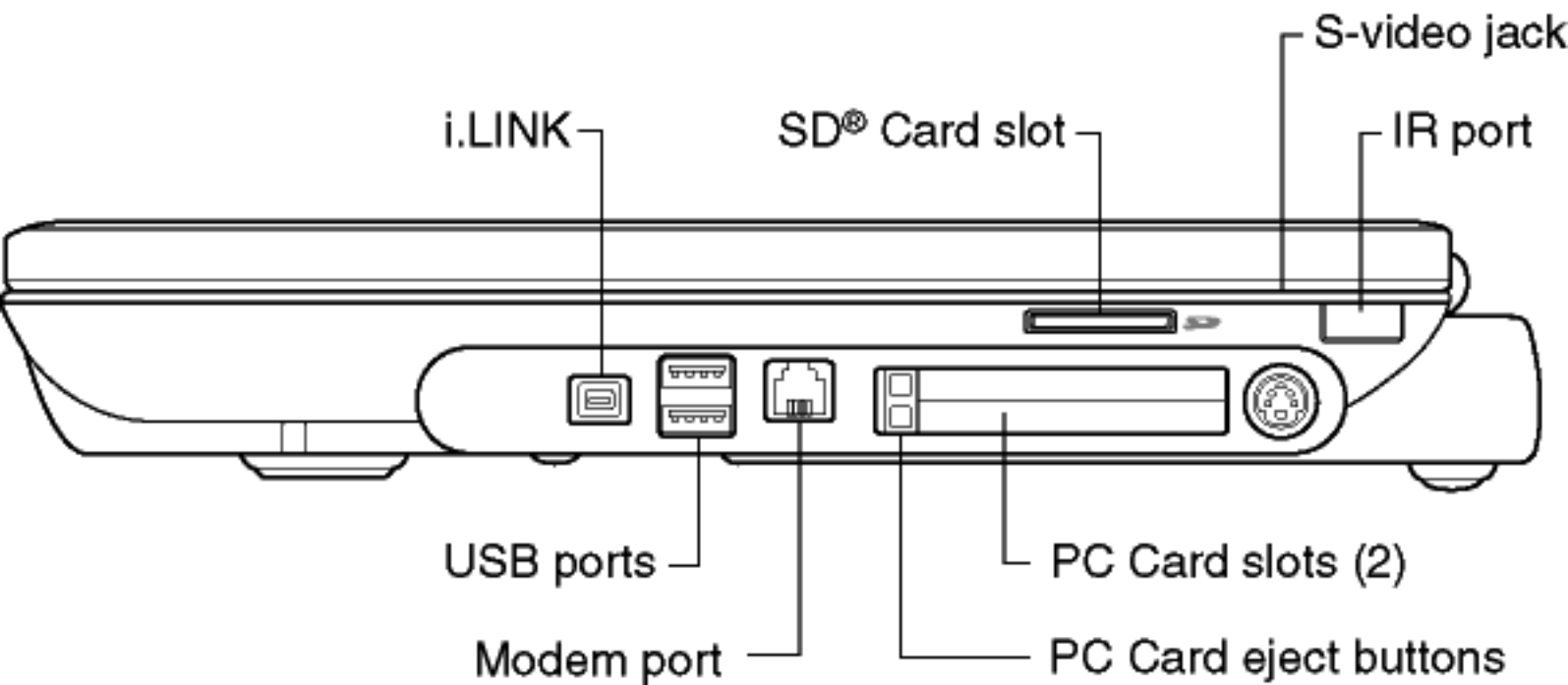


# Front with display closed

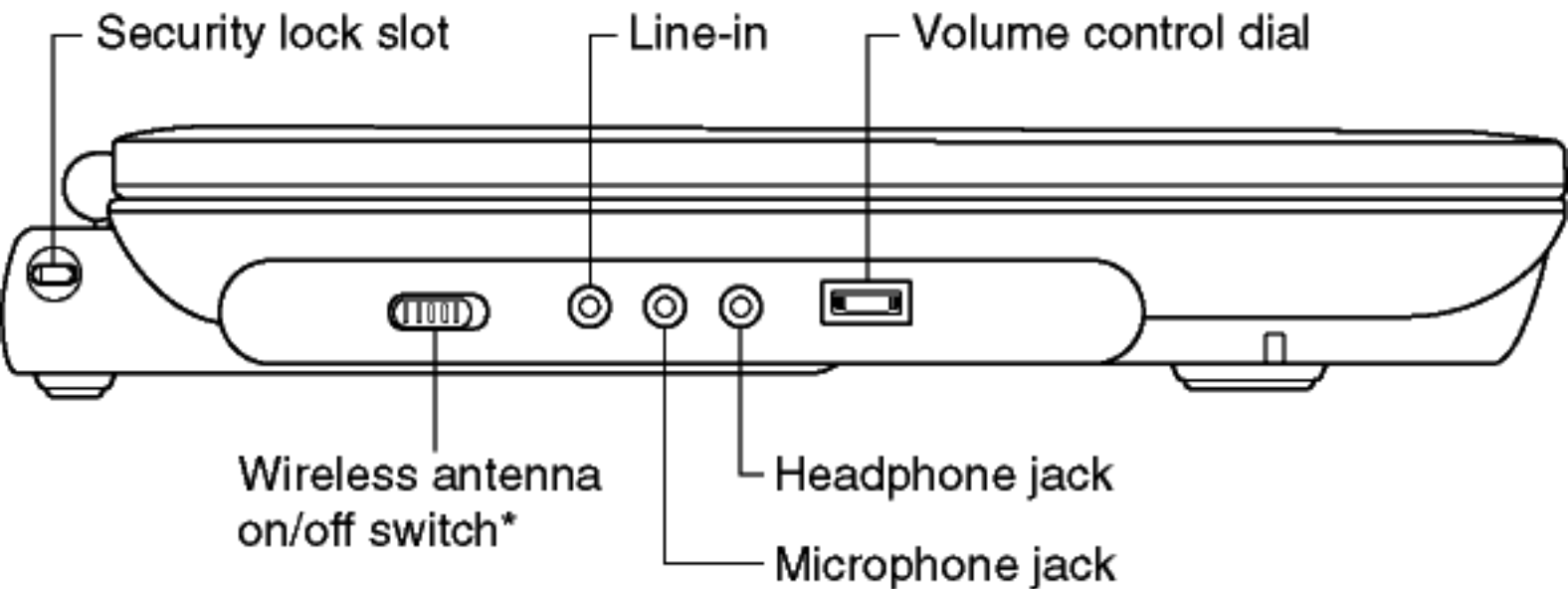


\*Functional only on systems with Toshiba remote control.

# Right side



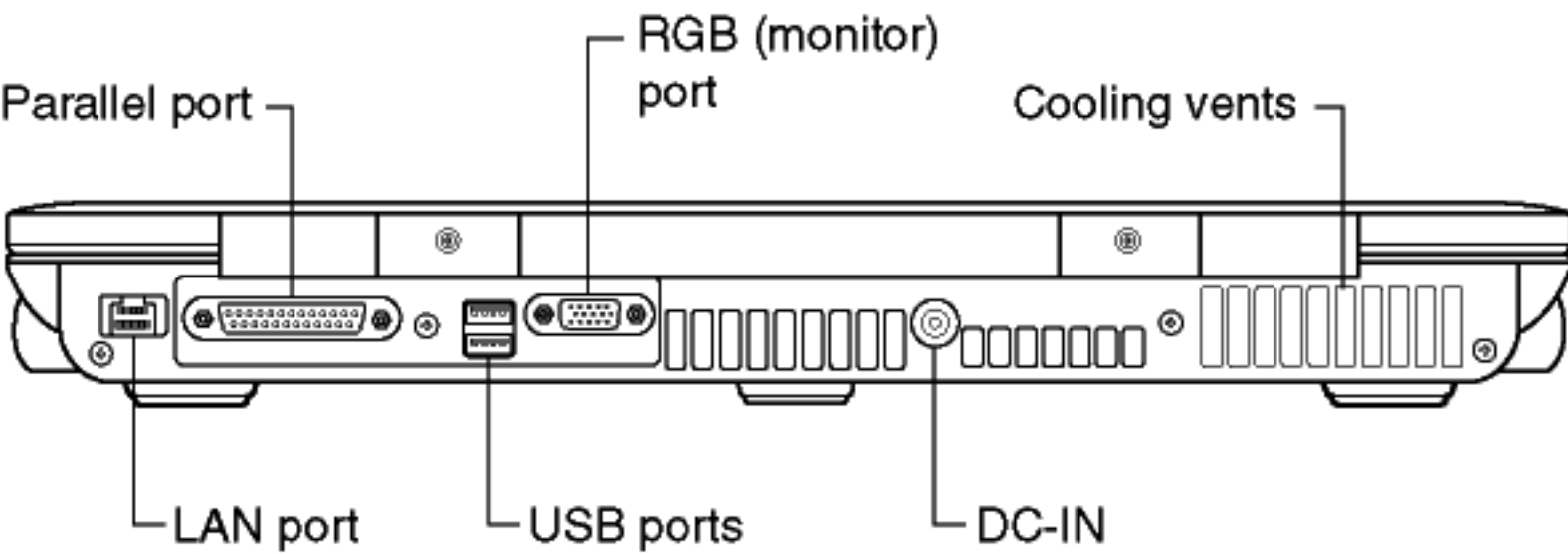
# Left side



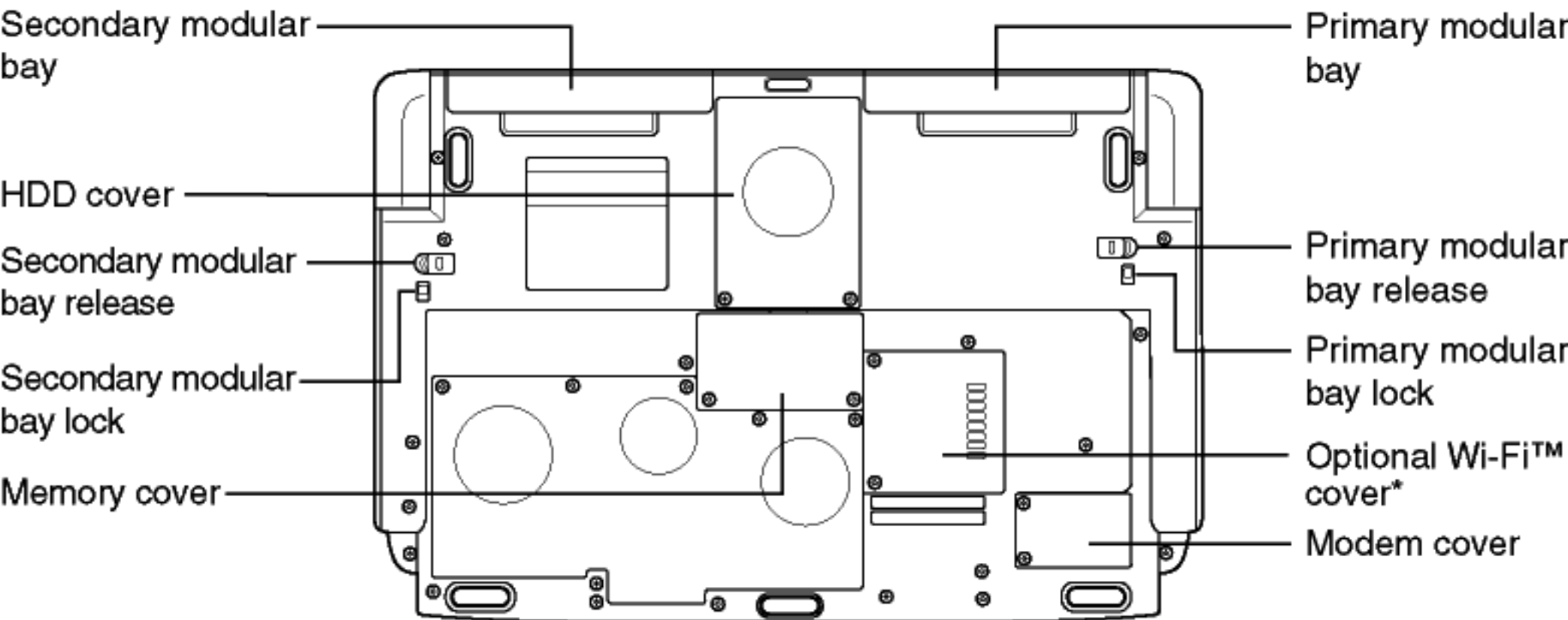
\*Functional only on systems with wireless module installed.



# Back



# Underside



\*Functional only on systems with wireless module installed.