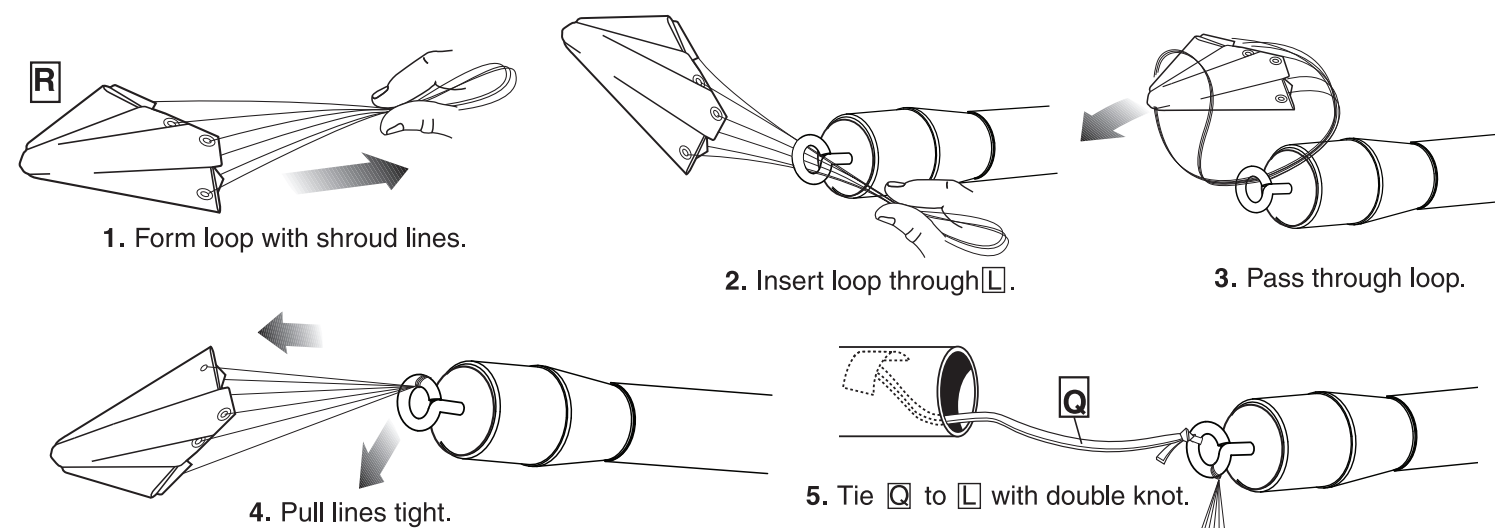


ROCKET FINISHING CONTINUED

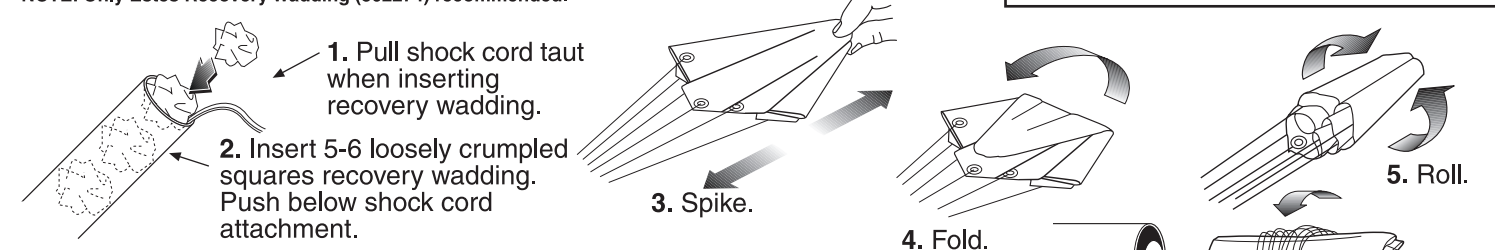
6. Apply 2 light coats of white primer to rocket body and upper body tube assembly.
 - a. Allow to dry and lightly sand with fine sandpaper between coats.
7. Spray paint entire rocket, rocket body and upper rocket section separately, gloss white.
 - a. Allow paint to dry overnight (24 hours is best).
8. Apply masking tape and protective cover over shoulder of tube adapter and upper body tube.
9. Spray paint tube adapter and nose cone gloss black.
 - a. Allow paint to dry overnight (24 hours is best). Remove masking tape and protective cover.
10. Apply masking tape and protective cover to rocket body where fins meet body tube.
11. Spray fins fiery orange.
 - a. Allow paint to dry overnight (24 hours is best).
12. Remove masking tape and cover.
13. Apply waterslide decals where shown.
 - a. Cut decals to be applied from the decal sheet, trimming close to the decal edge.
 - b. Place decal, one at a time, in bowl of warm water until decal begins to curl.
 - c. Remove decal, position in place and slide decal off of backing material and onto the model as close to final position as possible.
 - d. Gently blot excess water with a clean paper towel. Allow decals to set overnight.
14. Apply protective clear coat, optional. This will provide added protection and shine to your Plasma Probe™ rocket!

RECOVERY SYSTEM ATTACHMENT



FLIGHT RECOVERY PREPARATION

NOTE: Only Estes Recovery Wadding (302274) recommended.

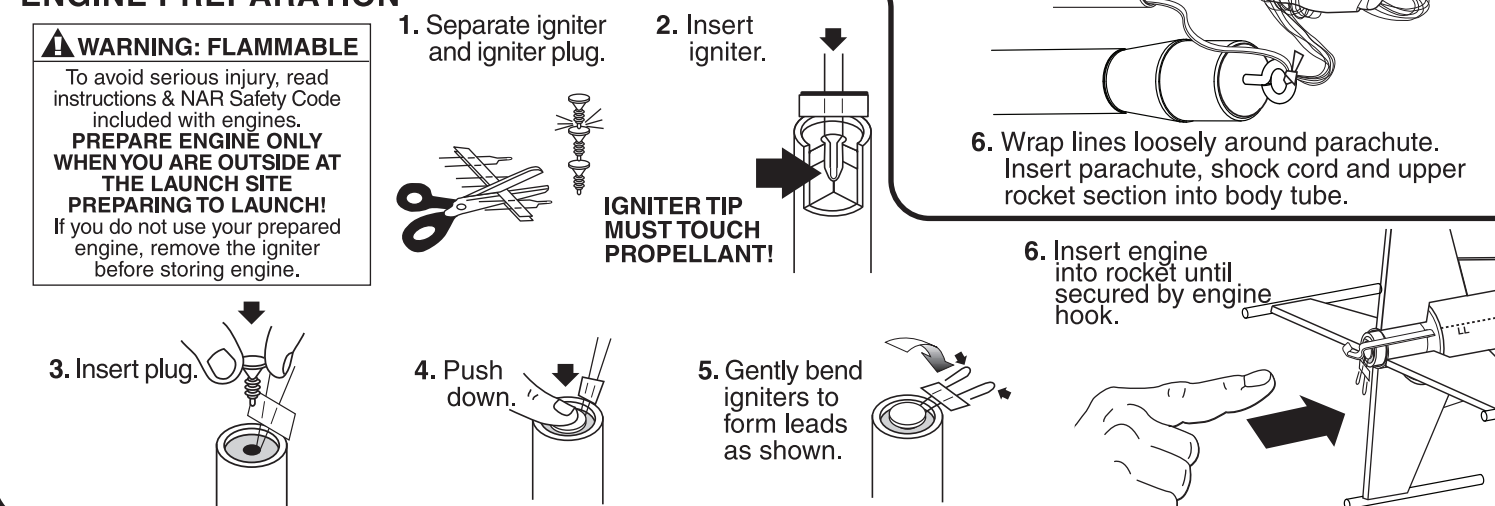


NOTE: Recovery wadding and parachute must slide easily into body tube. If too tight, redo.

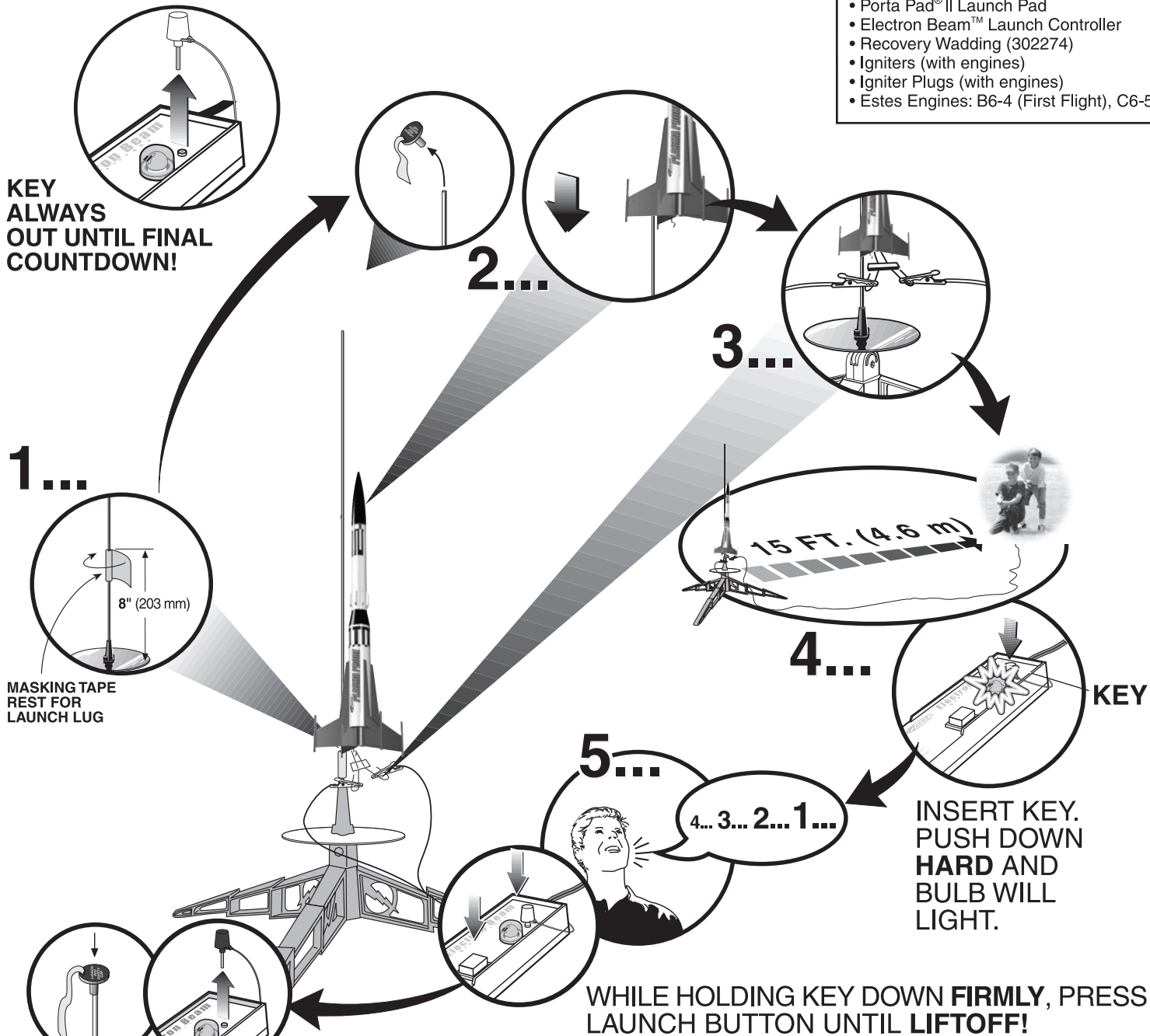
ENGINE PREPARATION

WARNING: FLAMMABLE

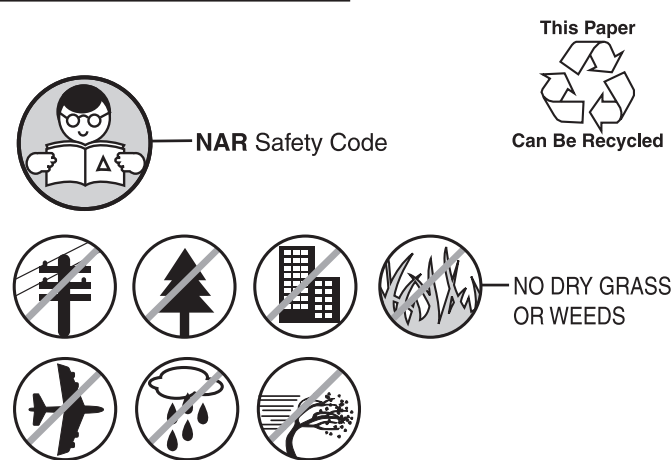
To avoid serious injury, read instructions & NAR Safety Code included with engines.
PREPARE ENGINE ONLY WHEN YOU ARE OUTSIDE AT THE LAUNCH SITE PREPARING TO LAUNCH!
 If you do not use your prepared engine, remove the igniter before storing engine.



COUNTDOWN AND LAUNCH



PRECAUTIONS



PRE-LAUNCH CHECK

For safety, never launch a damaged rocket. Check the rocket's body, nose cone and fins. Also, check the engine mount, recovery system and launch lug. Repair any damage before launching the rocket.

FLYING YOUR ROCKET

Choose a large field (500 ft. [153 m] square) free of dry weeds and brown grass. The larger the launch area, the better your chance of recovering your rocket. Football fields and playgrounds are great. Launch only with little or no wind and good visibility. Always follow the National Association of Rocketry (NAR) SAFETY CODE.

MISFIRES

TAKE THE KEY OUT OF THE CONTROLLER. WAIT ONE MINUTE BEFORE GOING NEAR THE ROCKET! Disconnect the igniter clips and remove the engine. Take the plug and igniter out of the engine. If the igniter has burned, it worked but did not ignite the engine because it was not touching the propellant inside the engine. Put a new igniter all the way inside the engine without bending it. Push the plug in place. Repeat the steps under Countdown and Launch.



Estes-Cox Corp.
 1295 H Street, PO Box 227
 Penrose, CO 81240-0227
 Printed in Guangdong, China

PLASMA PROBE™

FLYING MODEL ROCKET KIT INSTRUCTIONS
 KEEP FOR FUTURE REFERENCE

#3211

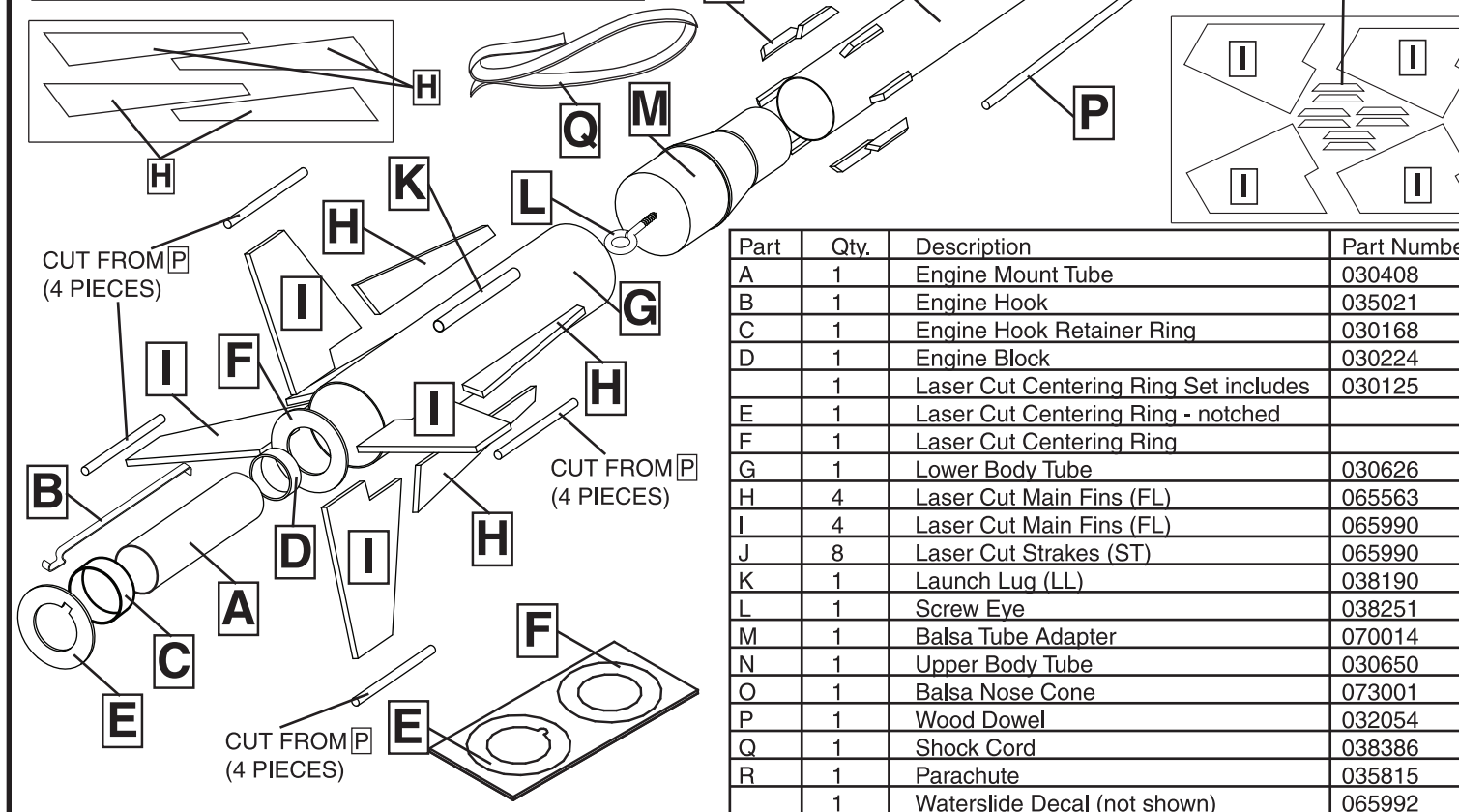


ASSEMBLY TIP: Read all instructions before beginning work on your model. Make sure you have all parts and supplies.

www.estesrockets.com

NOTE: Test fit all parts together before applying glue. If parts don't fit properly, sand as required for precision assembly.

IMPORTANT: Your Estes product is marked with a four digit lot code or codes. The code is two digits, a space and two more digits representing the week and year of manufacture, respectively. Lot codes can be found on the product package, decal, launch controller, launch pad and/or blast deflector. Please record the lot code found on the decal and keep for future reference. Lot code: _____



Part	Qty.	Description	Part Number
A	1	Engine Mount Tube	030408
B	1	Engine Hook	035021
C	1	Engine Hook Retainer Ring	030168
D	1	Engine Block	030224
E	1	Laser Cut Centering Ring Set includes	030125
F	1	Laser Cut Centering Ring	
G	1	Lower Body Tube	030626
H	4	Laser Cut Main Fins (FL)	065563
I	4	Laser Cut Main Fins (FL)	065990
J	8	Laser Cut Strakes (ST)	065990
K	1	Launch Lug (LL)	038190
L	1	Screw Eye	038251
M	1	Balsa Tube Adapter	070014
N	1	Upper Body Tube	030650
O	1	Balsa Nose Cone	073001
P	1	Wood Dowel	032054
Q	1	Shock Cord	038386
R	1	Parachute	035815
	1	Waterslide Decal (not shown)	065992

SUPPLIES

In addition to the parts included in the kit you will also need:

