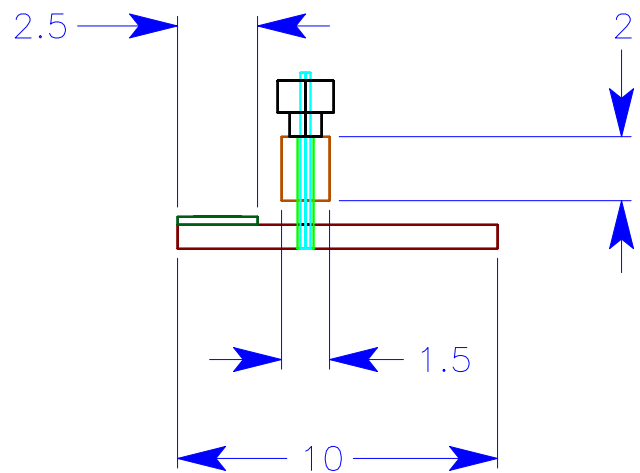


Lumber:

- 1 3/4 x 22 x 10 Baltic birch ply base
- 1 1.5 x 22 Hard maple clamp bar
- 2 1/2" x 3.5 dowel
- 1 1/4 x 2-1/2 x 22 BB ply fence

Hardware:

- 2 5/16-18 x 2-1/4 thru Knobs
- 2 5/16-18 x 5.5 threaded rod
- 2 1/4" x 1 thumbscrews
- 2 5/16-18 pronged T-nuts
- 2 5/16-18 jam nuts



Scale: 1" = 6"

Units: inch

## Dovetail Paring Jig

Designed by Chris Gochnour

Jim Yehle Salt Lake City

mat'l: 3/4 baltic birch ply, 6/4 hard maple

dovetail-trim-jig.vc6

rev A

Oct 1, 2004